

UCG 75 - 12

12V 75AH

AGM GEL

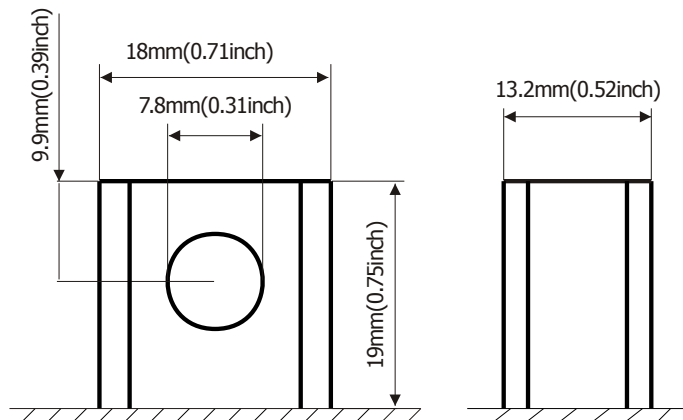
Ultracell®

'Quality in Every Language'

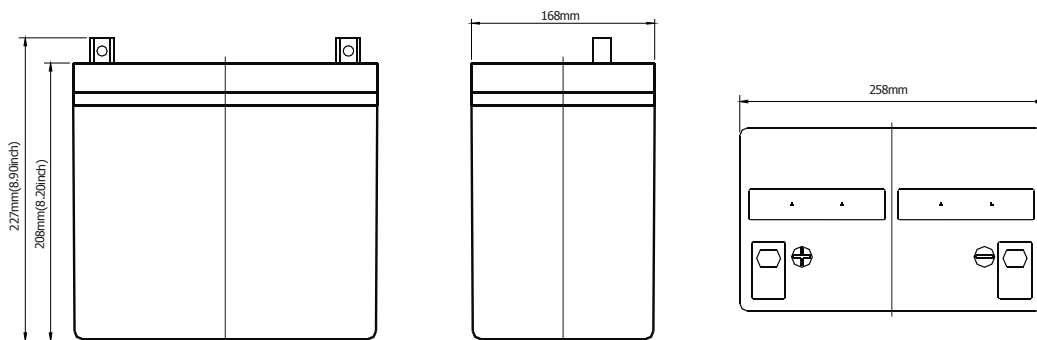
Image



Terminal Type



Dimensions



Specifications

Battery Model	UCG 75 - 12			
Designed Floating Life	10 Years			
Capacity (25°C)	20HR (3.75A, 1.75V)	10HR (7.4A, 1.75V)	5HR (12.4A, 1.75V)	1HR (45A, 1.75V)
	75AH	74AH	62AH	45AH
Dimensions	Length	Width	Height	Total Height
	258mm	168mm	208mm	227mm
Approx. Weight	23Kg			
Internal Resistance	Fully Charged at 25°C 0.0055Ohm			
Self Discharge	3% of capacity declined per month at 25°C			
Capacity Affected by Temperature	40°C	25°C	0°C	-15°C
	102%	100%	85%	65%
Charge Voltage (25°C)	Cycle Use		Float Use	
	14.4-15V (-30mV/C), max. Current: 18.75A		13.6-13.8V (-20mV/C)	

Construction

Component — Raw material
 Positive — Lead dioxide
 Negative — Lead
 Container — ABS (Flame Retardent optional)
 Cover — ABS (Flame Retardent optional)

Sealed and maintenance free option

Sealant — Epoxy Resin
 Safety Valve — EPDR
 Terminal — Copper
 Separator — Fibre Glass
 Electrolyte — Sulphuric acid and Gel

Non-spillable construction design



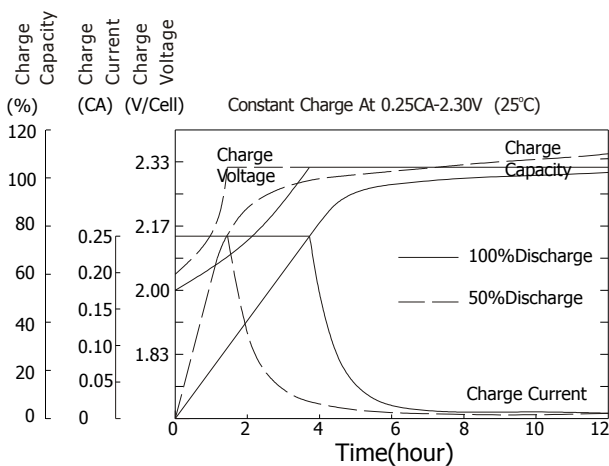
CE 1188



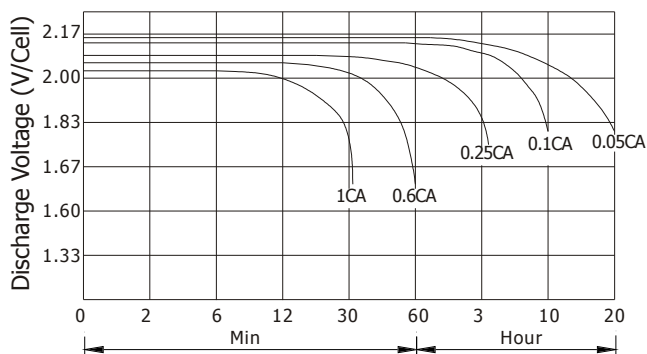
MH 29410

Tel +44 (0) 151 523 2777
 Fax +44 (0) 151 523 0855
 E-mail info@ultracell.co.uk
 Web www.ultracell.co.uk

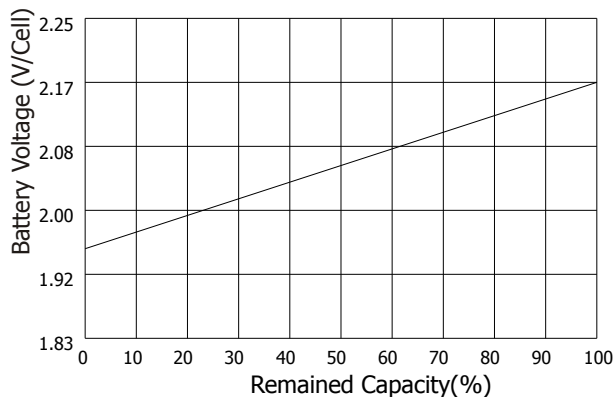
Charge Characteristic



Discharge Characteristic 25°C



Relationship of OCV and state of charge



Life Expectancy Cycle Use:

- 100% depth of discharge 350 cycles
- 80% depth of discharge 600 cycles
- 50% depth of discharge 900 cycles
- 30% depth of discharge 1500 cycles
- 20% depth of discharge 1700 cycles

Constant Current Discharge Ratings - amperes at 25°C

F.V / Time	5 MIN	10 MIN	15 MIN	30 MIN	1 HR	3 HR	5 HR	10 HR	20 HR
1.60 V	263	180	131	78.8	49.5	20.5	14.3	7.95	3.95
1.67 V	236	164	128	76.5	49.4	20.4	14.2	7.83	3.94
1.70 V	224	158	123	75.0	49.3	20.4	14.2	7.77	3.94
1.75 V	200	146	116	73.5	48.8	20.3	14.1	7.64	3.92
1.80 V	180	136	111	71.3	48.2	20.2	14.0	7.51	3.78
1.85 V	137	112	96.0	65.6	47.6	20.1	13.8	7.37	3.71

Constant Power Discharge Ratings - watts at 25°C

F.V / Time	5 MIN	10 MIN	15 MIN	30 MIN	1 HR	3 HR	5 HR	10 HR	20 HR
1.60 V	433	299	233	149	97.5	39.3	27.4	15.9	7.91
1.67 V	410	295	230	146	94.3	39.3	27.4	15.7	7.88
1.70 V	383	287	227	142	91.8	39.3	27.4	15.5	7.88
1.75 V	357	269	213	138	91.0	38.7	27.1	15.3	7.84
1.80 V	320	250	200	134	89.4	38.2	26.6	15.0	7.56
1.85 V	257	207	175	123	88.6	38.0	36.3	14.7	7.37



CE 1188



MH 29410

Tel | +44 (0) 151 523 2777
Fax | +44 (0) 151 523 0855
E-mail | info@ultracell.co.uk
Web | www.ultracell.co.uk