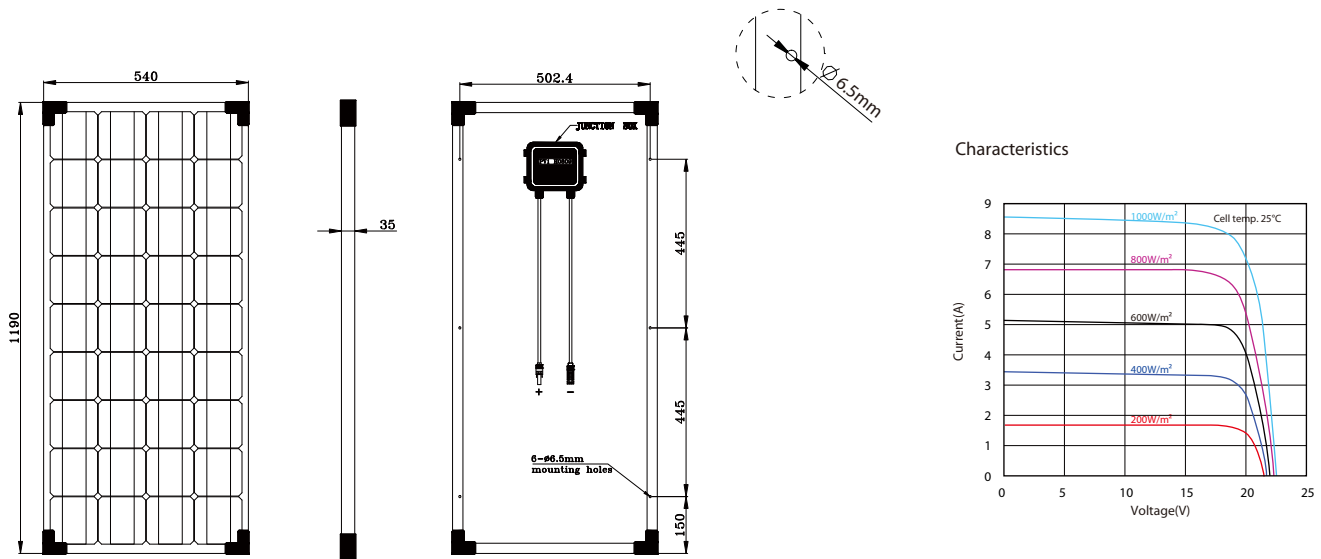


## Electrical characteristics

Product code	Eco Line ES100M36
Maximum power (Pmax)	100Wp
Voltage at Pmax (Vmp)	18.0V
Current at Pmax (Imp)	5.56A
Open-circuit voltage (Voc)	22.32V
Short-circuit current (Isc)	5.9A
Temperature coefficient of Voc	-0.36%/K
Temperature coefficient of Isc	0.05%/K
Temperature coefficient of power	-0.44%/K
Normal operating cell temperature	44±2°C
Operating temperature	-40~+85°C
Maximum system voltage	1000VDC
Power tolerance	0 to +3%

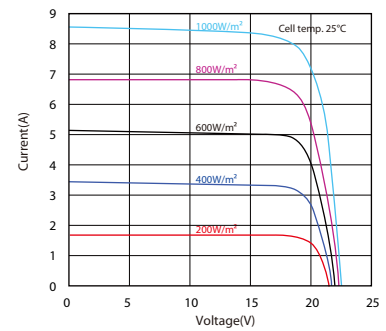
\*Measured at standard test conditions: irradiance 1,000 W/m<sup>2</sup>, air mass 1.5 spectrum, temperature 25°C  
Electrical parameters may vary by -5% to +5%

## Module diagram



\* Dimensions in brackets are in millimeters. Unit: mm

Characteristics



## Specifications

Cells	36 (4x9)
Junction box	Water proof IP67, 1000 VDC
Module dimension (mm)	1190X540X35
Weight (kg)	8.80
Number of bypass diodes & type	2 pcs bypass diodes
Packing information	1 pcs/ctn

