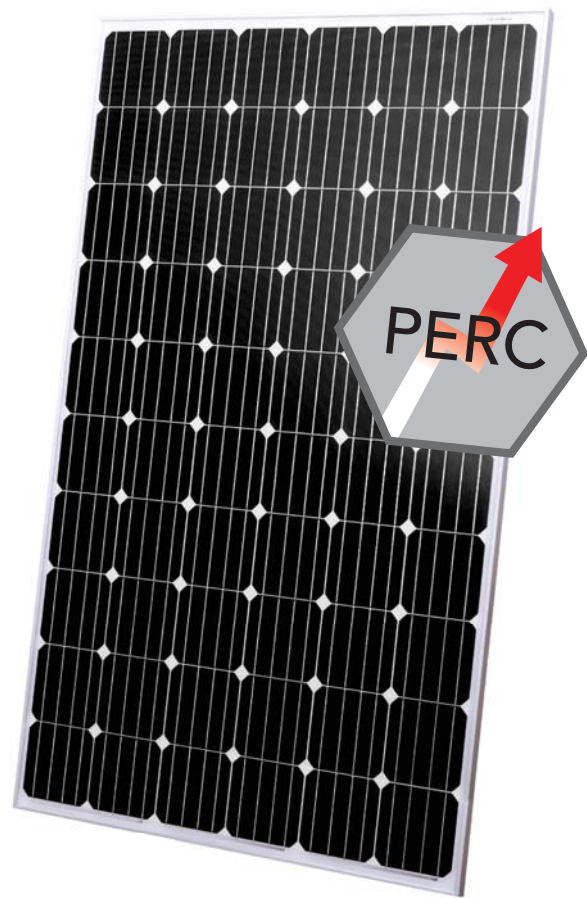


AS-M606-P SOLAR MODULE

60 MONOCRYSTALLINE CELLS
290 - 300 Wp

Premium photovoltaic module with
PERC technology
and higher efficiency
for improved BOS.



AEG solar modules combine the most advanced technology with high reliability in manufacture to offer you a product meant for high achievements. The AEG solar module AS-M606-P delivering up to 300 Wp features PERC coating, which allows you to gain over 20% extra cell efficiency and boost the performances of your solar plant. The PERC ("Passivated Emitter Rear Cell") process increases solar cell efficiency on p-type monocrystalline silicon thanks to rear-sided passivation and front and rear coating, granting higher light absorption, excellent low-light performances, reducing surface required (up to -11.5 %) and improving BOS. AEG solar modules feature the latest certifications such as TÜV etc. to ensure the highest quality and reliability. Our production

facilities comply with acknowledged international system standards such as ISO 9001, 14001 and OHSAS 18001. The AEG AS-M606-P solar module offers a range of benefits as a 10 years limited product warranty as well as a linear power warranty for 25 years (power output no less than 97% of the minimum "Peak Power at STC" in the first year; power output decline no more than 0.7% per year thereafter).



PERC Technology



Plant optimization and
yield increase



Excellent low
light performance

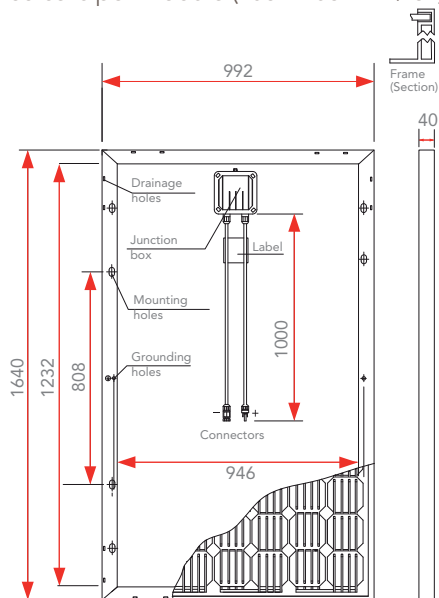


High module
conversion efficiency

AEG
perfekt in form und funktion

AS-M606-P SOLAR MODULE

60 cells per module (156 x 156 mm / 6")



Module dimensions are expressed in mm with tolerance ± 2 mm (± 0.079 ")

TEMPERATURE CHARACTERISTICS:

NOCT	44°C \pm 2°C
P_{max} Temp. Coeff. (γ)	-0.427 %/°C
V_{oc} Temp. Coeff. (β)	-0.318 %/°C
I_{sc} Temp. Coeff. (α)	0.042 %/°C
Operating temperature	-40°C to + 85°C

PACKING CONFIGURATION:

Packing Config.	26 pcs / pallet
Loading Capacity	728 pcs / 40 ft HC

ELECTRICAL CHARACTERISTICS AT STC*:

Module Type: AS-M606-P		290	295	300
Nominal Power (P_{max})	[Wp]	290	295	300
Tolerance on Nominal Power P_{max}^{**}	[Wp]	-0 / +5	-0 / +5	-0 / +5
Maximum Power Voltage (V_{mp})	[V]	31.61	31.86	32.09
Maximum Power Current (I_{mp})	[A]	9.18	9.26	9.35
Open Circuit Voltage (V_{oc})	[V]	39.18	39.27	39.39
Short Circuit Current (I_{sc})	[A]	9.68	9.73	9.78
Module Efficiency (η_m)		17.8%	18.1%	18.4%
Maximum System Voltage	[V]	1000	1000	1000
Series Fuse Maximum Rating	[A]	15	15	15

*Standard Test Conditions (STC): Irradiance 1000 W/m², Air Mass AM = 1.5, Cell Temperature 25°C; Power measurement uncertainty within $\pm 3\%$.

** AEG photovoltaic modules are classified according to a principle of positive power tolerance: the Power Output measured at STC of the delivered modules exceeds their assigned Nameplate Nominal Power at STC within a power tolerance range between -0 Wp and +5 Wp.

© Solar Solutions PV GmbH. Specifications in this datasheet are subject to change without notice. Product code: AS-M606-P-N6N1-4BB 290-300 version 201606.3.EN

MECHANICAL CHARACTERISTICS

Solar Cells	60 (6 x 10) monocrystalline silicon, 156 x 156 mm (6") solar cells
Front Glass	3.2 mm (0.13") high-transparency AR coating glass
Backsheet	White backsheet
Encapsulant	EVA (Ethylene-Vinyl Acetate)
Frame	Anodized aluminum alloy
Junction Box	IP67 rated, 3 bypass diodes
Cables	UV resistant solar cable 1000 mm (39.37"), sec. 4.0 mm ² (12 AWG)
Connectors	MC4 compatible connectors
Dimensions	1640 x 992 x 40 mm (64.5 x 39.1 x 1.57 ")
Weight	18.5 kg (40.8 lbs)
Max. Load	Wind load: 2400 Pa / Snow load: 5400 Pa

Solar Solutions PV GmbH
Ludwig-Feuerbach-Str. 69
90489 Nürnberg
Germany
www.aeg-industrialsolar.de

AEG is a registered trademark used under license from AB Electrolux (publ).

AEG
perfekt in form und funktion