



reddot award 2016  
winner

## Higher Revenue

- High efficiency inverter topology, Max. Efficiency 98.6%, European Efficiency 98.0%

## Simple & Easy

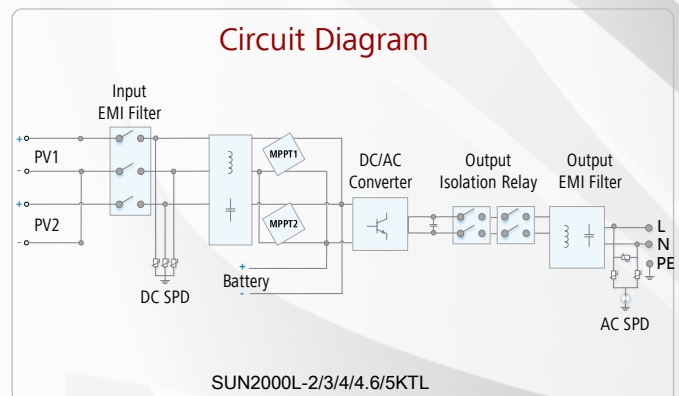
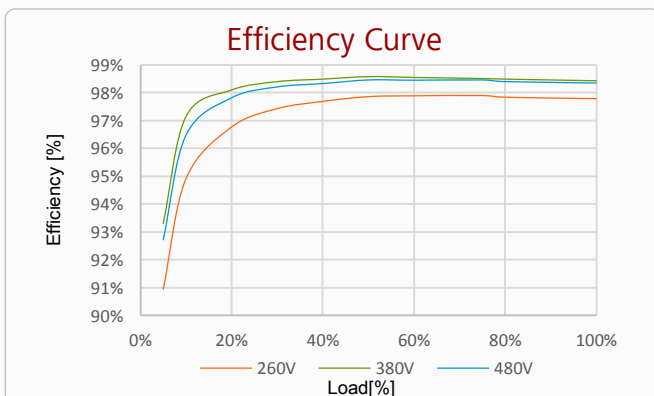
- 10.4kg, allows one person simple installation
- Optimized AC connector for quick wiring
- Supports one-click inverter configuration
- Supports one-click remote I-V curve diagnosis

## Battery Ready

- Integrated energy storage interface

## Safe & Reliable

- IP65, Natural cooling
- Build-in DC and AC surge arresters



# SUN2000L-2/3/4/4.6/5KTL

Technical Specification	SUN2000L-2KTL	SUN2000L-3KTL	SUN2000L-4KTL	SUN2000L-4.6KTL	SUN2000L-5KTL
<b>Efficiency</b>					
Max. efficiency	98.4%	98.5 %	98.6 %	98.6 %	98.6 %
European weighted efficiency	97.0 %	97.6 %	97.9 %	98 %	98 %
<b>Input</b>					
Recommended max. PV power	2660 Wp	3990 Wp	5400 Wp	6210 Wp	6750 Wp
Max. input voltage	600 V				
Operating voltage range <sup>1</sup>	90 V~ 600 V				
Start-up voltage	120 V				
Full power MPPT voltage range	120V~480 V	160 V~480 V	210 V~480 V	260 V~480 V	260 V~480 V
Rated input voltage	380 V				
Max. input current per MPPT	11 A				
Number of MPP trackers	2				
Max. number of inputs per MPPT	1				
<b>Output (Single Phase)</b>					
Rated output power	2000 W	3000 W	4000 W	4600 W	5000 W
Maximum apparent power	2200 VA	3300 VA	4400 VA	4600 VA	5500 VA
Rated output voltage	220 V / 230 V / 240 V				
Rated AC grid frequency	50 Hz / 60 Hz				
Maximum output current	10 A	15 A	20 A	23 A	25 A
Adjustable power factor	0.8 leading ... 0.8 lagging				
Max. total harmonic distortion	≤ 3 %				
<b>Protection</b>					
Anti-Islanding protection	Yes				
DC reverse polarity protection	Yes				
Insulation monitoring	Yes				
DC surge arrester	Yes				
AC surge arrester	Yes				
Residual current monitoring	Yes				
AC overcurrent protection	Yes				
AC short-circuit protection	Yes				
AC over-voltage protection	Yes				
Over-heat protection	Yes				
<b>General Data</b>					
Operating temperature range	-30 ~ +60 °C ( Derating above 45°C @ Rated output power )				
Relative operating humidity	0 %RH ~ 100 %RH				
Operating altitude	0-4000 m ( Derating above 2000m )				
Cooling	Natural Convection				
Display	LED Indicators				
Communication	RS485, WLAN				
Weight (incl. mounting bracket)	10.4 kg				
Dimension (incl. mounting bracket)	375X375X161.5 mm				
Degree of protection	IP65				
<b>Battery Compatibility</b>					
Battery	LG Chem RESU 7H / 10H				
Voltage range	350~450 Vdc				
Max. current	10 A				
Communication	RS485				
<b>Standards Compliance</b>					
Safety	EN/IEC 62109-1, EN/IEC 62109-2				
Grid connection standards	G83/2,G59/3, EN 50438, CEI 0-21, VDE-AR-N-4105, UTE C 15-712-1, AS 4777				

\*1.The maximum input voltage and operating voltage upper limit will be reduced to 500 V when inverter connects and works with battery.

\*2.Only applicable for PV string.

The text and figures reflect the current technical state at the time of printing. Subject to technical changes. Errors and omissions excepted. Huawei assumes no liability for mistakes or printing errors. For more information, please visit solar.huawei.com. Version No.:01-(2017)0728

## Higher Revenue

- Max. efficiency 99.6%, weighted efficiency 99.0%
- Module-level MPP tracking, increase power yield by 5%-30%
- Allows more panels on each roof to achieve higher system yields

## Simple & Easy

- Supports installation in shade prone areas and in different directions
- Quick frame mount at warehouse, less rooftop installation time
- Supports remote module-level monitoring & I-V curve diagnosis

## Safe & Reliable

- IP68, support outdoor application
- Communication through DC Power Line Communication
- Single module shutdown capability to secure people and assets safety



Technical Specification	SUN2000P-375W
<b>Input</b>	
Rated input power	375 W
Absolute maximum input voltage	80 V
MPPT operating voltage range	10-80 V
Max. input current	12 A
Max. efficiency	99.6 %
Weighted efficiency	99 %
Overvoltage category	II
<b>Output</b>	
Max. output voltage	80 V
Max. output current	15 A
Output bypass	Yes
<b>Standard Compliance</b>	
Safety	IEC62109-1 (class II safety)
RoHS	Yes
<b>General Specification</b>	
Maximum allowed system voltage	1000 V
Communication	PLC
Dimensions (W x L x H)	125*85*25.5 mm
Weight (including cables)	0.7 kg
Input connector	MC4
Output connector	MC4
Output wire length	47 in / 1.2 m
Operating temperature/humidity range	-40 to 85 °C / 0-100 %
Protection rating	IP68
<b>PV System Design Using A SUN2000L Inverter</b>	
Minimum String Length	According to inverter design rules & PV module datasheet
Maximum String Length	
Maximum Power per String	

The text and figures reflect the current technical state at the time of printing. Subject to technical changes. Errors and omissions excepted. Huawei assumes no liability for mistakes or printing errors. For more information, please visit solar.huawei.com. Version No.:01-(2017.07.28)



## Simple & Easy

- Communicate with optimizers through Power Line communication
- Support module-level real time monitoring & management

## Safe & Reliable

- Single module shutdown capability to secure people and assets safety
- IP65, support outdoor application



Technical Specification	SmartPSB2000L
<b>DC Input</b>	
Maximum input voltage	1100 V
Number of inputs	2
Maximum input current per input	15 A
<b>DC Output</b>	
Maximum output voltage	1100 V
Number of outputs	2
Maximum output current per output	15 A
<b>Features</b>	
Module-level remote management	Yes
Onsite master module shutdown	Yes
Remote auto module shutdown	Yes
<b>General Specification</b>	
Dimensions ( H x W x D )	148 x 148 x 38 mm
Weight	3 kg
Display	LED
Communication	PLC, RS485
Input type	HH4
Operating temperature range	-30 to 60 °C
Protection rating	IP65



Copyright © Huawei Technologies Co., Ltd.2017. All rights reserved.

No part of this document may be reproduced or transmitted in any form or by any means without prior written consent of Huawei Technologies Co., Ltd.

#### Trademark Notice

 , HUAWEI and  are trademarks or registered remarks of Huawei Technologies Co., Ltd. Other trademarks, product service and company names mentioned are the property of their respective owners.

#### General Disclaimer

The information in this document may contain predictive statements including, without limitation, statements regarding the future financial and operating results, future product portfolio, new technology, etc. There are a number of factors that could cause actual results and developments to differ materially from those expressed or implied in the predictive statements. Therefore, such information is provided for reference purpose only and constitutes neither an offer nor an acceptance. Huawei may change the information at any time without notice.

#### Huawei technologies (Australia) Pty Ltd

Level 6, Tower B, 799 Pacific Highway, ChatswoodNSW 2067

Tel: 9928 3888 or 9928 3921

Fax: 9510 2477

[au\\_inverter\\_support@huawei.com](mailto:au_inverter_support@huawei.com)

#### HUAWEI TECHNOLOGIES CO.,LTD

Huawei Industrial Base

Bantian Longgang

Shenzhen 518129,P.R.China

Tel.:400-822-9999

Version No.:01-(20170728)

[solar.huawei.com](http://solar.huawei.com)



# Huawei SUN2000 Series Products Warranty and Service Condition

(Network Energy Inverter Products)

Huawei Brand Service



# Huawei Solar Inverter Series Warranty and Service Conditions

These warranty and service conditions apply to the following products:

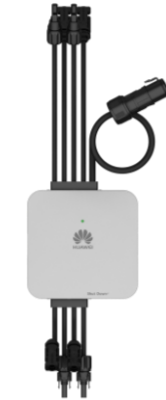
- SUN2000L-2/3/4/4.6/5KTL
- SUN2000P-375W
- SmartPSB2000L



SUN2000L



SUN2000P



SmartPSB2000L

## Warranty period:

Warranty Period			
Product	Warranty Commencement	Warranty Period	
SUN2000L Series Products	Warranty commences from the 90th day after the date of the product shipment from Huawei, or the date on which Huawei receives a service request for this product, whichever is earlier	60 months Spare part, Logistic, Replacement fare	60 months Spare part only
SUN2000P-375W Smart PV Optimizer		25 years	-
SmartPSB2000L Smart PV Safety Box		60 months	-



## Warranty services:

Huawei provides remote support and hardware support for solar inverter maintenance.

Warranty Services			
Warranty Service	Service Classification	Service Content	Availability
	Remote Support	Help Desk	Tel: 1800046639 E-mail: au_inverter_support@huawei.com 09:00 to 18:00 Monday to Friday (Business Days only)
		Remote Technical Support	5*8h (response within 30Min)
		Online Technical Support	<a href="http://e.huawei.com/en/service-hotline">http://e.huawei.com/en/service-hotline</a>
	Hardware Support	Hardware support	2 Business Days-Shipment*
		Replacement Fare	165AUD/incident of Replacement, 25AUD per additional unit from same project

\*Excludes travelling time if required

### ➤ Remote Support

Remote Support means Huawei provides solutions for technical enquiries or problems relating to the solar inverter products under warranty by telephone or e-mail. It includes Help Desk, Remote Technical support and Online Technical Support (<http://e.huawei.com/en/service-hotline>).

- **Help Desk** provides technical support to Huawei's customers for solar inverter products.

**Tel: 1800046639; Email: [au\\_inverter\\_support@huawei.com](mailto:au_inverter_support@huawei.com)**

- **Remote Technical Support** includes technical enquiry and problem handling. The technical enquiry service provides consultation services in respect of Huawei inverter products. The problem handling service is to provide solutions to customers for inverter-related problems.

### ➤ Hardware Support

During the Warranty Period, Huawei guarantees that all solar inverter hardware purchased shall be free from defects in material, fabrication and workmanship.





- Solar inverter products that are defective in material, fabrication or workmanship or do not meet the published specifications shall be replaced free of charge.
- Huawei will send the replacement device to the customer site within 2 Business Days after device fault being confirmed. After receiving the replacement device, customer should return the defective device (packed in the packaging from the replacement device) within 15 Business Days of receipt of the replacement device. Defective devices not returned in time for any reason may be charged for.
- The replacement device provided by Huawei will be functionally equivalent to the customer's defective device (in features, functions, compatibility, provided with default software version).
- The replacement device provided by Huawei will have a Warranty Period of twelve (12) months from the date of receipt by the customer, or the remainder of the original device warranty period, whichever is longer.
- Huawei will bear the costs of on-site attendances, if applicable.

### **Disclaimer:**

- All above mentioned warranty and support services apply only to SUN2000 Series Products.
- Accessories and consumable parts, including but not limited to cables and connectors, are not covered by the warranties and services set out above.
- If Huawei cannot fulfill its service commitments within the committed time period due to non-Huawei causes, Huawei should be exempted from responsibilities and related compensations on the fulfillment of the SLA commitments. If on-site service is required, traveling time should be excluded from the SLA time.
- Warranties and services shall not apply in the following circumstances:
  - Damage as a result of force majeure (natural disasters, fires and wars).
  - Damage as a result of natural wear and tear.
  - Direct damage caused by failure to meet system requirements provided in writing including site running environment or external electricity parameters.

- Damage from lightning due to unsuitable system design.
- Large scale damage to hardware or data due to customer's negligence, inappropriate operation or intentional damage.
- Damage caused by non-compliance with the operation manual of the equipment.
- System damage caused by the customer or third parties, including relocation and installation of the system not in compliance with Huawei's requirements or instructions.
- Damage caused by adjustment, change or removal of identification marks not in compliance with Huawei requirements or instructions.
- System damage directly caused by problems in customer's infrastructure.

## Huawei Service Organization

Huawei has built up an extensive service organization world-wide. We are serving our customers with warranty services and spare parts for a wide range of technologies.

For support of the warranty services for SUN2000 products, Huawei has defined a support organization to support the process as depicted below:

