

SILOE LED

LARGE SIZE

Hexagonal lantern in classic style, made of shockproof resin material, UV-rays stabilized, rust and corrosion-free. Modular construction suitable for post top, hanging and wall installation. Equipped with TÜV approved, long-life and efficient GX53 LED modular system in different wattages. Insulation class II, Protection rating IP 65.

Lantern esagonale in stile classico, realizzata in resina antiurto, stabilizzata ai raggi UV, inattaccabile da ruggine e corrosione. Idonea per il montaggio a palo, a sospensione o a parete. Provvista di sistema modulare a LED GX53 approvato TÜV di lunga durata ed alta efficienza disponibile in diverse potenze. Classe di isolamento II, grado di protezione IP65.

K35.000.D3L



BULKHEAD

FLOODLIGHT

IN-GROUND

BRICKLIGHT

BOLLARDS

GARDEN

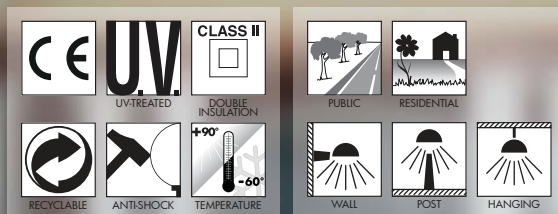
URBAN CLASSIC

URBAN MODERN

HIGH-BAY

POST

LAMPS





SILOE LED - LANTERN COMPONENTS

IP65



Decorative **PINNACLE** to be mounted on the roof top for post installation or on the lantern base for hanging installation.

PINNACOLO decorativo applicabile alla sommità del tetto (montaggio a palo) o sulla base della gabbia (montaggio a sospensione).

Lantern **ROOF** made of shockproof resin material, UV-rays stabilized, rust and corrosion-free. Tool-free opening for relamping and maintenance.

TETTO realizzato in resina antiurto, stabilizzata ai raggi UV, inattaccabile da ruggine e corrosione. Rimovibile senza l'ausilio di attrezzi per manutenzione e cambio lampadina.

DIFFUSER of UV-rays stabilized polymethylmethacrylate (PMMA), with recess for a power supply cable, available in clear or opal colour. One piece only closed at the base to ensure high protection against external agents.

DIFFUSORE in polimetilmetacrilato resistente ai raggi UV, disponibile in colore trasparente od opale, provvisto di sede per l'alloggiamento del cavo di alimentazione. Realizzato in unico pezzo chiuso alla base per garantire un alto livello di protezione contro gli agenti esterni.

CAGE made of shockproof resin material, UV-rays stabilized, rust and corrosion-free.

GABBIA realizzata in resina antiurto, stabilizzata ai raggi UV, inattaccabile da ruggine e corrosione.

SILOE LED

K35.000 *



Dimensions and weight

Height: 530 mm
Width: 350 mm
Depth: 305 mm
Weight: 4,1 Kg
Junction to support: diameter 60 mm
Area exposed to wind pressure:
CxS = m² 0,113

Moulded colours:

Black White

Painted colours:

Antique green Antique bronze

Diffuser PMMA:

Clear Opal

GX53 LED



- **COST SAVING:** long-life and efficient LED light sources.
- **BUILT-IN DRIVER:** quick and easy lamp replacement
- **GREAT FLEXIBILITY:** GX53 standard lamp holder.
- **FUTURE-PROOFED LUMINARIES:** performances easy to upgrade to latest technology developments.
- **SUITABLE FOR OUTDOOR USE:** built-in driver fully protected against heat and humidity by silicone paste.

*ADD. SUFFIX

Lantern supplied with white resin CEILING provided with TÜV approved, long-life and efficient **3x GX53 LED lamps included**. Each lamp can be quickly and easily replaced individually, making the luminaries maintenance very simple.



3x 7 W 21 W	2400 Lm	4000 K	.C3L
		3000 K	.C3R
3x 10 W 30 W	3600 Lm	4000 K	.D3L
		3000 K	.D3R

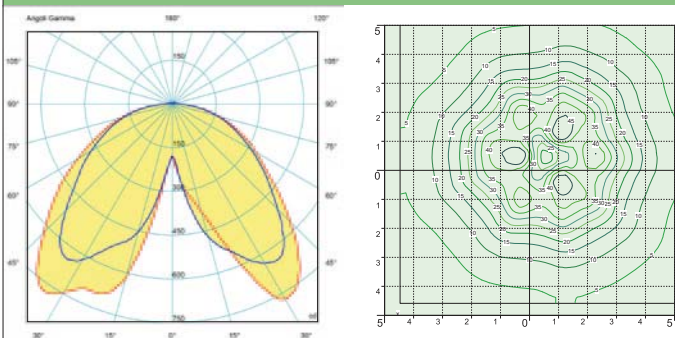
LED LAMPS



More technical details about TÜV approved Fumagalli LED Lamps on page 468.

* ADD THESE SUFFIXES TO THE REFERENCES MENTIONED IN THE CATALOGUE

PHOTOMETRIC DATA SAMPLE



SILOE LED



SAVE **-58%**

3x10W GX53 LED
30W
(power consumption)

Area: 10x10mt
Height: 3mt
15 lux

SILOE E27



HQI - SON
70W
(power consumption)

Area: 10x10mt
Height: 3mt
14 lux

SILOE
LARGE SIZE

BULKHEAD
FLOODLIGHT
IN-GROUND
BRICKLIGHT
BOLLARDS
GARDEN
URBAN CLASSIC
URBAN MODERN
HIGH-BAY
POST
LAMPS



MADE IN
ITALY



OFIR/SILOE
K35.132

Pcs 1
Kg 4,4
mc 0,048

EVA/SILOE
K35.181

Pcs 1
Kg 13
mc 0,168

SILOE
K35.000

Pcs 1
Kg 3,5
mc 0,043

LOT/SILOE
K35.113

Pcs 1
Kg 4,4
mc 0,061

Ø 190

MIRRA/SILOE
K35.142

Pcs 1
Kg 11
mc 0,083

SICHEM/SILOE
K35.121

Pcs 1
Kg 4,4
mc 0,048

RICU/SILOE
K35.157

Pcs 2
Kg 25,8
mc 0,310

Ø 245

GIGI/SILOE
K35.156

Pcs 2
Kg 24,9
mc 0,278

Ø 245

ARTU'/SILOE
K35.158

Pcs 2
Kg 21,4
mc 0,247

Ø 245

ALOE'.R/SILOE
K35.163 resin

Pcs 2
Kg 11,8
mc 0,182

Ø 190

IAFET.R/SILOE
K35.162 resin

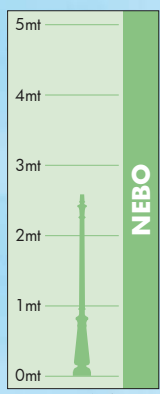
Pcs 2
Kg 11,7
mc 0,153

Ø 190

BULKHEAD
FLOODLIGHT
IN-GROUND
BRICKLIGHT
BOLLARDS
GARDEN
URBAN CLASSIC
URBAN MODERN
HIGH-BAY
POST
LAMPS

NEBO/SILOE
LARGE SIZE

BULKHEAD
FLOODLIGHT
IN-GROUND
BRICKLIGHT
BOLLARDS
GARDEN
URBAN CLASSIC
URBAN MODERN
HIGH-BAY
POST
LAMPS



MADE IN ITALY



SABA



SALEM

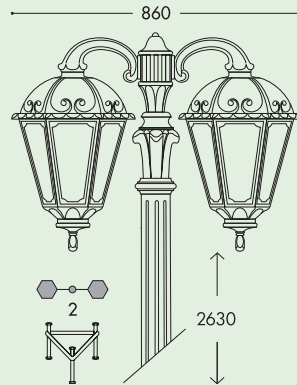


SILOE

NEBO OFIR/SILOE 2L

K35.201.R20

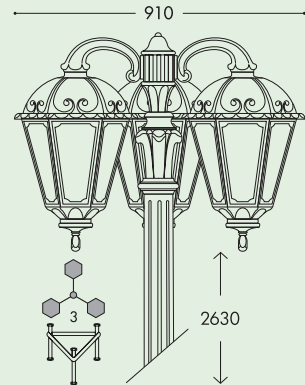
Pcs 1
Kg 26,9
mc 0,268



NEBO OFIR/SILOE 3L

K35.201.R30

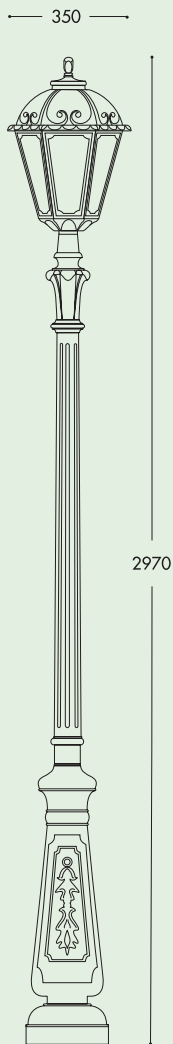
Pcs 1
Kg 29,4
mc 0,342



NEBO/SILOE

K35.201

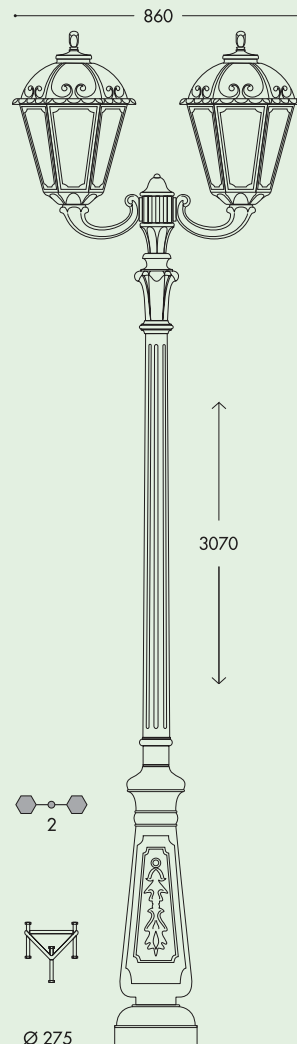
Pcs 1
Kg 21,7
mc 0,196



NEBO OFIR/SILOE 2L

K35.201.R20

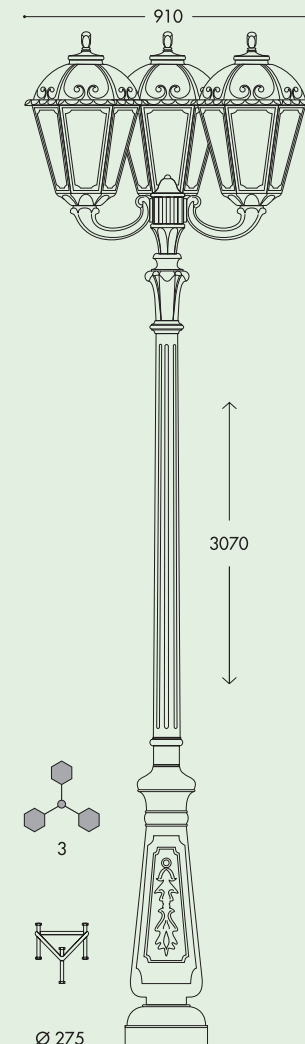
Pcs 1
Kg 26,9
mc 0,268



NEBO OFIR/SILOE 3L

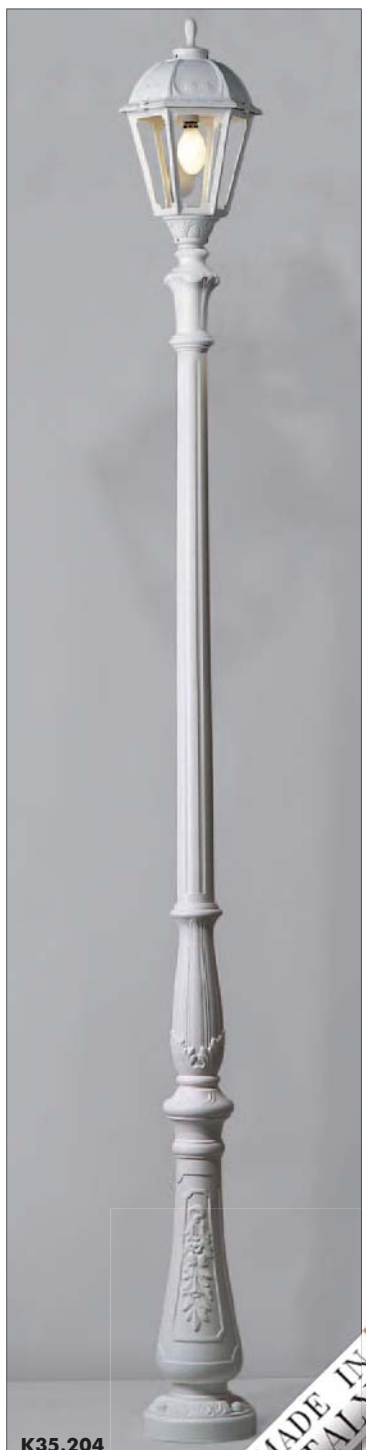
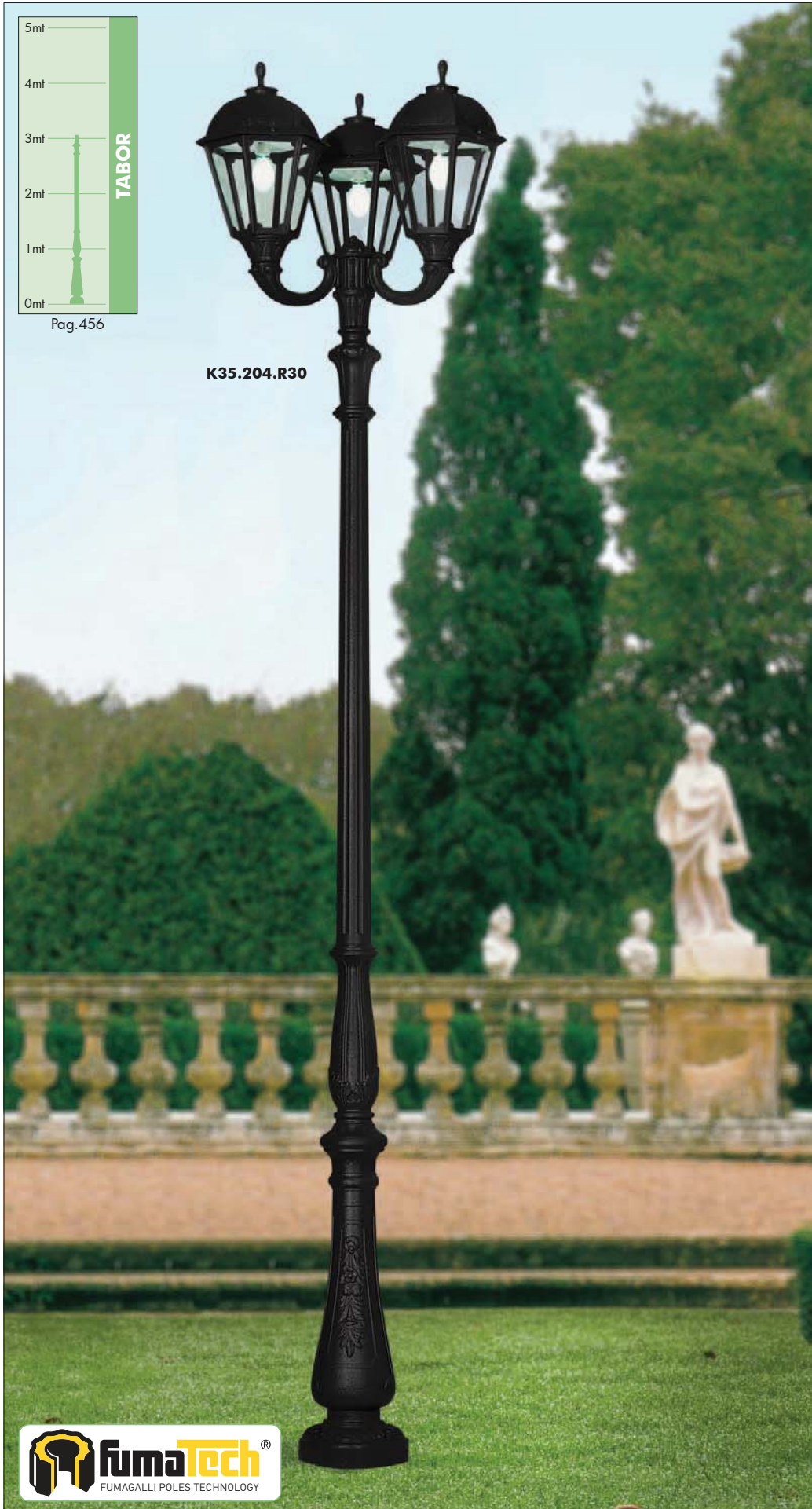
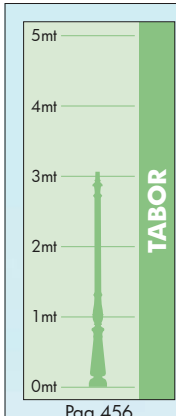
K35.201.R30

Pcs 1
Kg 29,4
mc 0,342



TABOR/SILOE
LARGE SIZE

BULKHEAD
FLOODLIGHT
IN-GROUND
BRICKLIGHT
BOLLARDS
GARDEN
URBAN CLASSIC
URBAN MODERN
HIGH-BAY
POST
LAMPS



MADE IN ITALY



SABA



SALEM

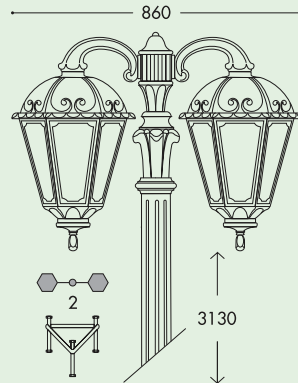


SILOE

TABOR OFIR/SILOE 2L

K35.204.R20

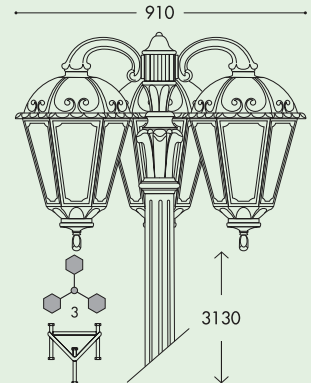
Pcs 1
Kg 32,2
mc 0,295



TABOR OFIR/SILOE 3L

K35.204.R30

Pcs 1
Kg 34,6
mc 0,369

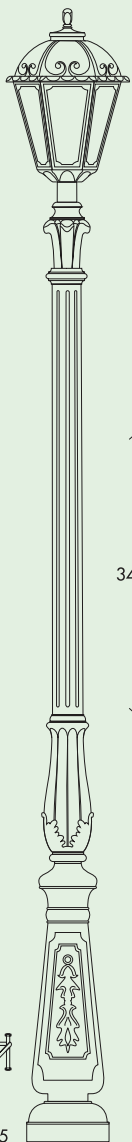


TABOR/SILOE

K35.204

Pcs 1
Kg 27
mc 0,223

350

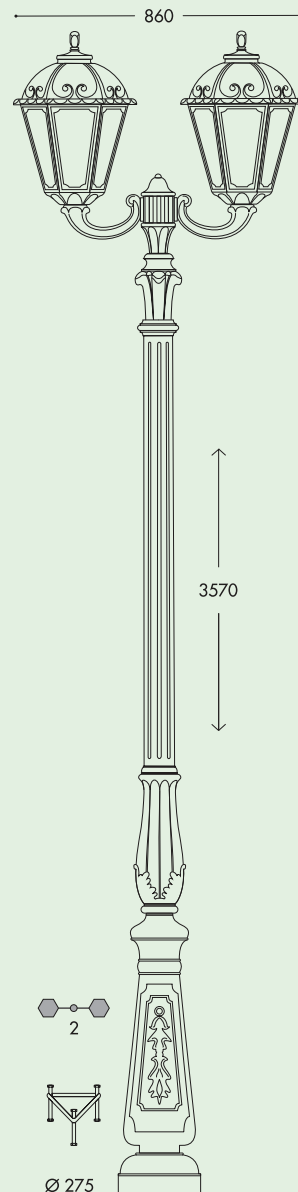


Ø 275

TABOR OFIR/SILOE 2L

K35.204.R20

Pcs 1
Kg 32,2
mc 0,295

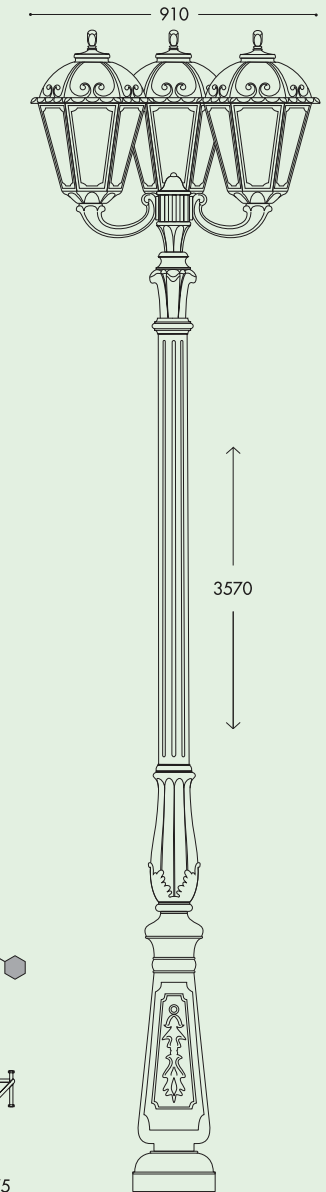


Ø 275

TABOR OFIR/SILOE 3L

K35.204.R30

Pcs 1
Kg 34,6
mc 0,369



Ø 275

BULKHEAD

FLOODLIGHT

IN-GROUND

BRICKLIGHT

BOLLARDS

GARDEN

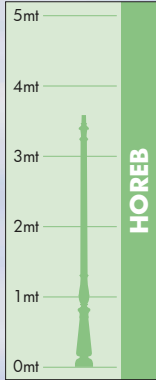
URBAN CLASSIC

URBAN MODERN

HIGH-BAY

POST

LAMPS



Pag.456



MADE IN ITALY



HOREB ADAM/SILOE 1L
K35.207.M10

Pcs 1
Kg 30,4
mc 0,280

720

3630

ADAM/SILOE
K35.171

Pcs 1
Kg 6,3
mc 0,083

610

700

610

HOREB ADAM/SILOE 3+1
K35.207.M31

Pcs 1
Kg 43,4
mc 0,476

1230

4180

3+1

HOREB/SILOE
K35.207

Pcs 1
Kg 28,5
mc 0,249

350

3970

Ø 275

HOREB ADAM/SILOE 3L
K35.207.M30

Pcs 1
Kg 39,7
mc 0,414

4120

Ø 275

3

HOREB ADAM/SILOE 2+1
K35.207.M21

Pcs 1
Kg 38,8
mc 0,404

1240

4180

2+1

HOREB ADAM/SILOE 2L
K35.207.M20

Pcs 1
Kg 35,1
mc 0,342

1240

4120

2

BULKHEAD

FLOODLIGHT

IN-GROUND

BRICKLIGHT

BOLLARDS

GARDEN

URBAN CLASSIC

URBAN MODERN

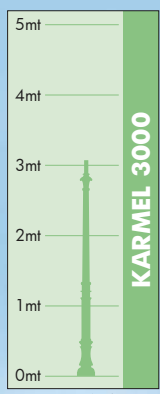
HIGH-BAY

POST

LAMPS

KARMEL 3000/SILOE
LARGE SIZE

BULKHEAD
FLOODLIGHT
IN-GROUND
BRICKLIGHT
BOLLARDS
GARDEN
URBAN CLASSIC
URBAN MODERN
HIGH-BAY
POST
LAMPS



Pag.456





KARMEL 3000 OFIR/SILOE 2L
K35.231.R20

Pcs 1
Kg 32,2
mc 0,295

KARMEL 3000 OFIR/SILOE 3L
K35.231.R30

Pcs 1
Kg 36,5
mc 0,369

KARMEL 3000/SILOE
K35.231

Pcs 1
Kg 27
mc 0,223

KARMEL 3000 OFIR/SILOE 2L
K35.231.R20

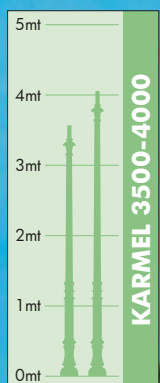
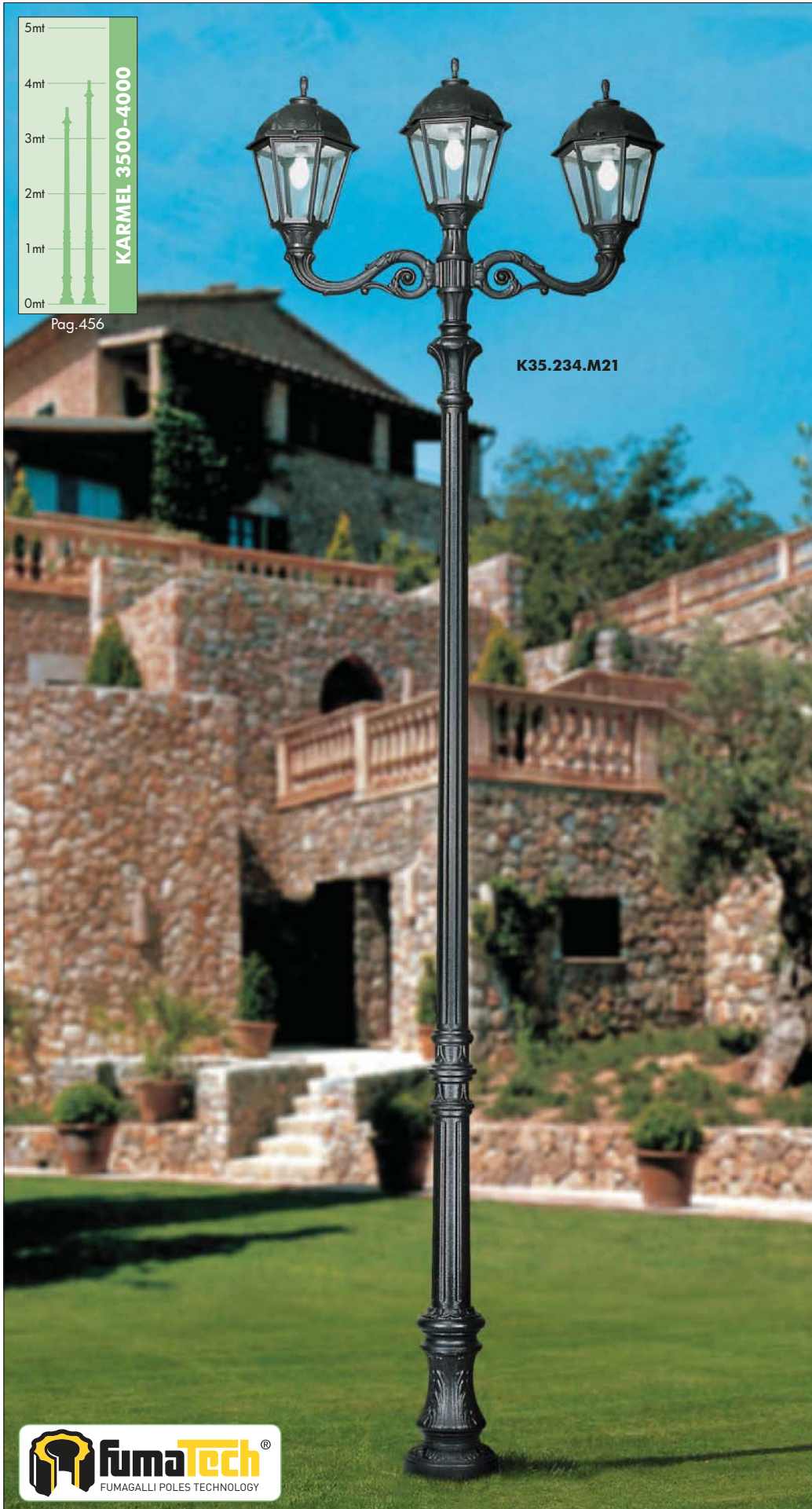
Pcs 1
Kg 32,2
mc 0,295

KARMEL 3000 OFIR/SILOE 3L
K35.231.R30

Pcs 1
Kg 36,5
mc 0,369

KARMEL 3500-4000/**SILOE**
LARGE SIZE

BULKHEAD
FLOODLIGHT
IN-GROUND
BRICKLIGHT
BOLLARDS
GARDEN
URBAN CLASSIC
URBAN MODERN
HIGH-BAY
POST
LAMPS



Pag.456



MADE IN ITALY



SABA



SALEM



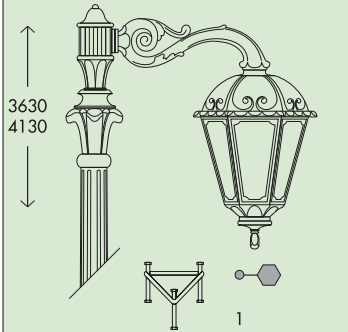
SILOE

KARMEL 3500-4000/SILOE
LARGE SIZE

KARMEL 3500 ADAM/SILOE 1L **KARMEL 4000 ADAM/SILOE 1L**

K35.234.M10 **K35.237.M10**

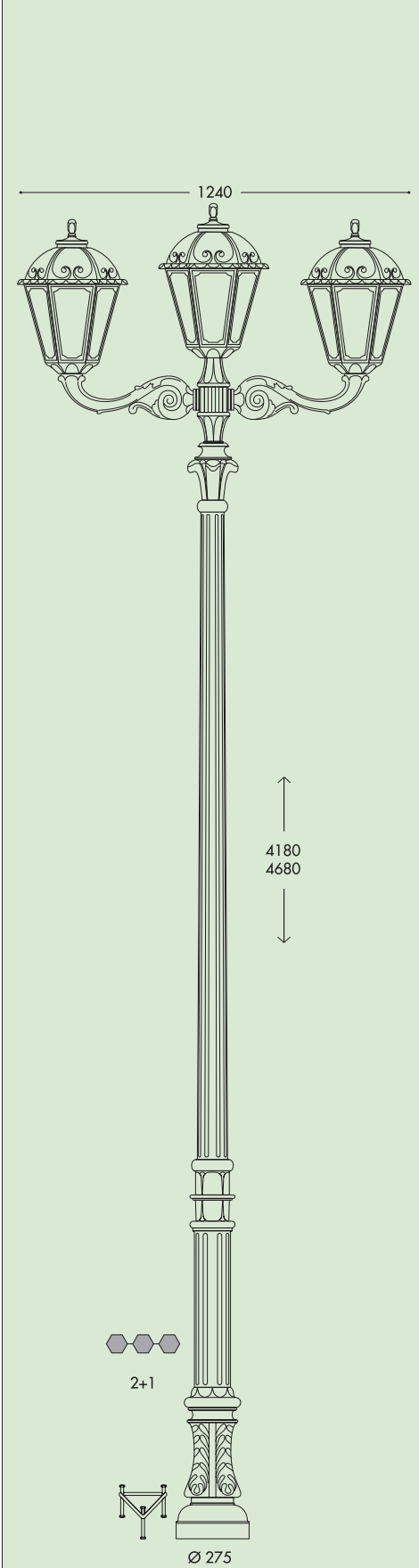
Pcs 1 Pcs 1
Kg 30,4 Kg 33,9
mc 0,280 mc 0,287



KARMEL 3500 ADAM/SILOE 2+1 **KARMEL 4000 ADAM/SILOE 2+1**

K35.234.M21 **K35.237.M21**

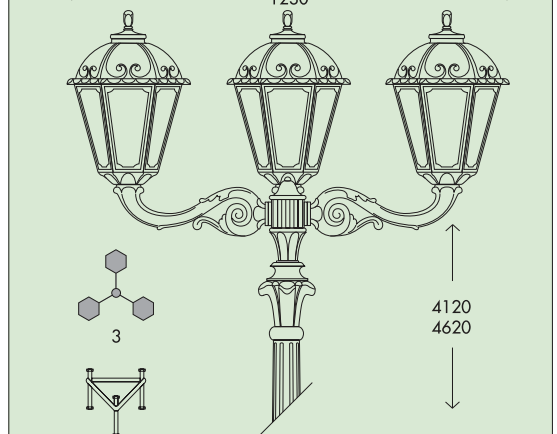
Pcs 1 Pcs 1
Kg 38,8 Kg 42,3
mc 0,404 mc 0,431



KARMEL 3500 ADAM/SILOE 3L **KARMEL 4000 ADAM/SILOE 3L**

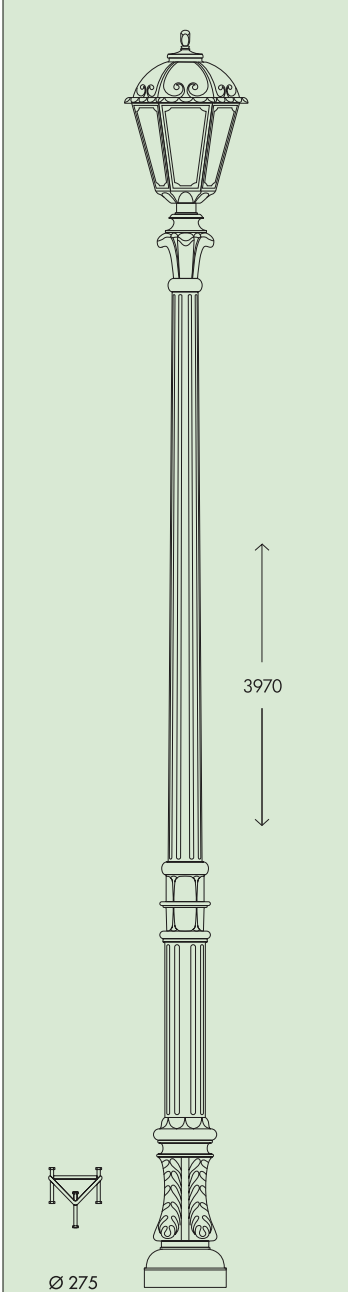
K35.234.M30 **K35.237.M30**

Pcs 1 Pcs 1
Kg 39,7 Kg 43,2
mc 0,414 mc 0,441



KARMEL 3500/SILOE
K35.234

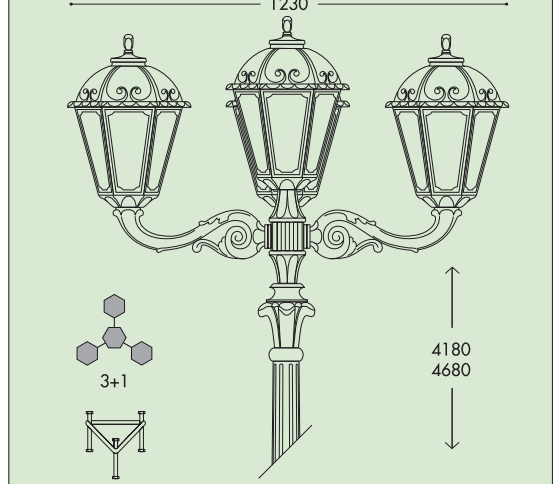
Pcs 1
Kg 28,5
mc 0,249



KARMEL 3500 ADAM/SILOE 3+1 **KARMEL 4000 ADAM/SILOE 3+1**

K35.234.M31 **K35.237.M31**

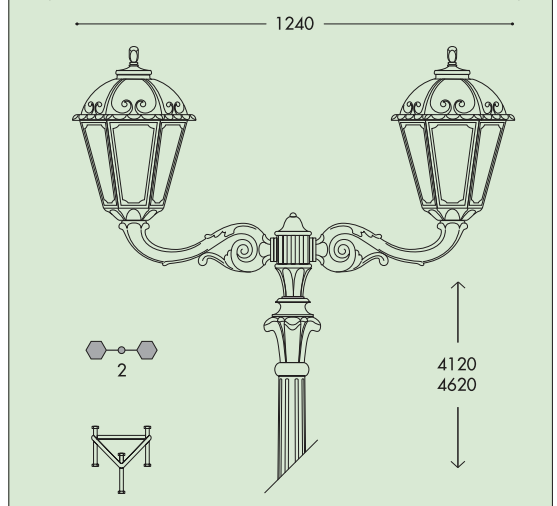
Pcs 1 Pcs 1
Kg 43,4 Kg 46,9
mc 0,476 mc 0,503



KARMEL 3500 ADAM/SILOE 2L **KARMEL 4000 ADAM/SILOE 2L**

K35.234.M20 **K35.237.M20**

Pcs 1 Pcs 1
Kg 35,1 Kg 38,7
mc 0,342 mc 0,369



BULKHEAD
FLOODLIGHT
IN-GROUND
BRICKLIGHT
BOLLARDS
GARDEN
URBAN CLASSIC
URBAN/MODERN
HIGH-BAY
POST
LAMPS