

TOBIA

LARGE SIZE

E27 square lantern in classic style, made of shockproof resin material, UV-rays stabilized, rust and corrosion-free. Modular construction suitable for post top, hanging and wall installation. Provided with high temperature resistant ceiling suitable for ballast fixation. Insulation class II, protection rating IP 55.

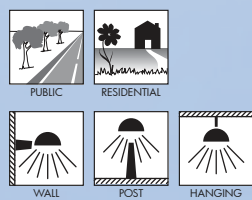
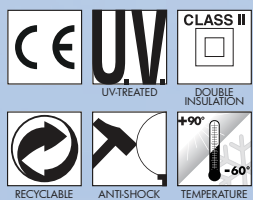
Lantern quadra E27 in stile classico, realizzata in resina antiurto, stabilizzata ai raggi UV, inattaccabile da ruggine e corrosione. Idonea per il montaggio a palo, a sospensione o a parete. Fornita con soffitto ad alta resistenza al calore idoneo per il fissaggio dei reattori. Classe di isolamento II, grado di protezione IP55.



NEW VERSION 2016
HORIZONTAL BULBS



Q33.000.N2R



BULKHEAD
FLOODLIGHT
IN-GROUND
BRICKLIGHT
BOLLARDS
GARDEN
URBAN CLASSIC
URBAN MODERN
HIGH-BAY
POST
LAMPS



TOBIA - LANTERN COMPONENTS

IP55



Decorative **PINNACLE** to be mounted on the roof top for post installation or on the lantern base for hanging installation.

PINNACOLO decorativo applicabile alla sommità del tetto (montaggio a palo) o sulla base della gabbia (montaggio a sospensione).

Lantern **ROOF** made of shockproof resin material, UV-rays stabilized. Tool-free opening for relamping and access to control-gear.

TETTO realizzato in resina antiurto, stabilizzata ai raggi UV. Removibile senza l'ausilio di attrezzi per manutenzione e cambio lampadina.

DIFFUSER of UV-rays stabilized polymethylmethacrylate (PMMA), one piece only, with recess for a power supply cable. Available in clear or opal colour. For the version MBF 125W and HQI/SON 100W the enclosure is open at the bottom, enabling a correct disposal of the heat inside the diffuser.

DIFFUSORE in polimetilmetacrilato (PMMA) resistente all'ingiallimento ed ai raggi UV, disponibile in colore trasparente o opale, realizzato in unico pezzo, provvisto di sede per alloggiamento del cavo di alimentazione. Per la versione MBF 125W o HQI/SON 100W il diffusore è aperto alla base per un corretto smaltimento del calore nel vano ottico.

CAGE made of shockproof resin material, UV-rays stabilized, rust and corrosion-free.

GABBIA realizzata in resina antiurto, stabilizzata ai raggi UV, inattaccabile da ruggine e corrosione.

TOBIA

Q33.000 *

open diffuser Q34.000*



Dimensions and weight

Height: 520 mm
Width: 330 mm
Depth: 330 mm
Weight: 3,5 Kg
Junction to support: diameter 60 mm
Area exposed to wind pressure: CxS = m² 0,089

Moulded colours:

Black White

Painted colours:

Antique green Antique bronze

Diffuser PMMA:

Clear Opal

2x E27



Lantern supplied with white resin ceiling complete with **2x E27** lampholders. Provided as an option with TÜV approved, long-life and efficient **LED filament lamps suitable for outdoor use**. Version with daylight and motion sensor available.

		max 160 mm		*ADD. SUFFIX
2x E27 (CFL-LED)		←→		.E28
2x E27 + SENSOR		←→		.ES8
2 FILAMENT LED LAMPS	2x 8 W 16W	2000 Lm	2700 K	.M2R
	2x 12 W 24W	3000 Lm	2700 K	.N2R

E27



Lantern supplied with high temperature resistant CEILING made of white polycarbonate (PC), complete with **E27** lampholder. Provided as an option with TÜV approved, long-life and efficient **LED filament lamps suitable for outdoor use**.

		max 160 mm		*ADD. SUFFIX
E27 (GLS-CFL-LED)	E27 lampholder only			.E27
FILAMENT LED LAMP	8W	1000 Lm	2700 K	.M1R
FILAMENT LED LAMP	12W	1500 Lm	2700 K	.N1R

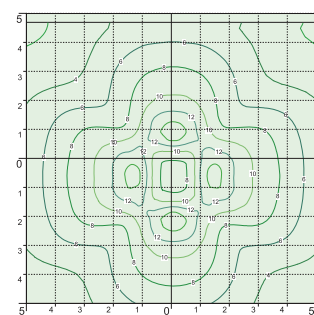
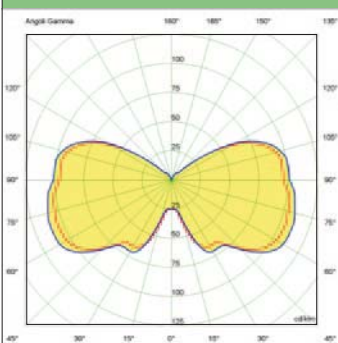
E27-E40 with BALLAST KIT



Lantern supplied with high temperature resistant CEILING made of white polycarbonate (PC), complete with E27-E40 lampholder and with **ballast kit** for SON-HQI lamps.

		max 160 mm		*ADD. SUFFIX
CLOSED DIFFUSER IP55	E27 WITH BALLAST KIT	SON 70W		.S70
		HQI 70W		.H70
OPEN DIFFUSER	E40 WITH BALLAST KIT	SON 100W		.S10
		HQI 100W		.H10

PHOTOMETRIC DATA SAMPLE



TOBIA lantern clear SON 100W.

POST height 3.5mt
10 x 10mt area: average 15 lux

The photometric data for all the versions are available upon request or on our website.

* ADD THESE SUFFIXES TO THE REFERENCES MENTIONED IN THE CATALOGUE

LED LAMPS



More technical details about TÜV approved Fumagalli LED Lamps on page 468.

TOBIA
LARGE SIZE

BULKHEAD

FLOODLIGHT

IN-GROUND

BRICKLIGHT

BOLLARDS

GARDEN

URBAN CLASSIC

URBAN MODERN

HIGH-BAY

POST

LAMPS



MADE IN
ITALY



OFIR/TOBIA

E27 Q33.132
LED Q35.132

Pcs 1
Kg 5,4
mc 0,061

EVA/TOBIA

E27 Q33.181
LED Q35.181

Pcs 1
Kg 13
mc 0,168

TOBIA

E27 Q33.000
LED Q35.000

Pcs 1
Kg 3,5
mc 0,043

LOT/TOBIA

E27 Q33.113
LED Q35.113

Pcs 1
Kg 5,4
mc 0,061

MIRRA/TOBIA

E27 Q33.142
LED Q35.142

Pcs 1
Kg 13
mc 0,083

SICHEM/TOBIA

E27 Q33.121
LED Q35.121

Pcs 1
Kg 5,4
mc 0,061

RICU/TOBIA

E27 Q33.157
LED Q35.157

Pcs 2
Kg 27,2
mc 0,334

GIGI/TOBIA

E27 Q33.156
LED Q35.156

Pcs 2
Kg 26,2
mc 0,304

ARTU'/TOBIA

E27 Q33.158
LED Q35.158

Pcs 2
Kg 22,8
mc 0,273

ALOE'/TOBIA

E27 Q33.163 resin
LED Q35.163 resin

Pcs 2
Kg 13,2
mc 0,208

IAFET.R/TOBIA

E27 Q33.162 resin
LED Q35.162 resin

Pcs 2
Kg 13,1
mc 0,179

BULKHEAD
FLOODLIGHT
IN-GROUND
BRICKLIGHT
BOLLARDS
GARDEN
URBAN CLASSIC
URBAN MODERN
HIGH-BAY
POST
LAMPS

NEBO/TOBIA
LARGE SIZE

BULKHEAD

FLOODLIGHT

IN-GROUND

BRICKLIGHT

BOLLARDS

GARDEN

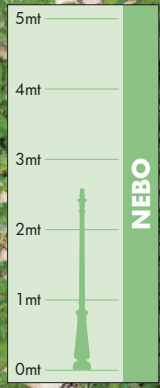
URBAN CLASSIC

URBAN MODERN

HIGH-BAY

POST

LAMPS



Q33.201



Q33.142



Q33.201.R20



Q33.201.R30





NEBO OFIR/TOBIA 2L

E27 Q33.201.R20
LED Q35.201.R20

Pcs 1
Kg 26,9
mc 0,268

NEBO OFIR/TOBIA 3L

E27 Q33.201.R30
LED Q35.201.R30

Pcs 1
Kg 29,4
mc 0,342

NEBO/TOBIA

E27 Q33.201
LED Q35.201

Pcs 1
Kg 21,7
mc 0,196

NEBO OFIR/TOBIA 2L

E27 Q33.201.R20
LED Q35.201.R20

Pcs 1
Kg 26,9
mc 0,268

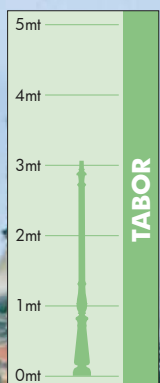
NEBO OFIR/TOBIA 3L

E27 Q33.201.R30
LED Q35.201.R30

Pcs 1
Kg 29,4
mc 0,342

TABOR/TOBIA
LARGE SIZE

BULKHEAD
FLOODLIGHT
IN-GROUND
BRICKLIGHT
BOLLARDS
GARDEN
URBAN CLASSIC
URBAN MODERN
HIGH-BAY
POST
LAMPS



Pag. 456



MADE IN ITALY



TABOR OFIR/TOBIA 2L

E27 Q33.204.R20
LED Q35.204.R20

Pcs 1
Kg 32,2
mc 0,295

850

3130

2

TABOR OFIR/TOBIA 3L

E27 Q33.204.R30
LED Q35.204.R30

Pcs 1
Kg 34,6
mc 0,369

890

3130

3

TABOR/TOBIA

E27 Q33.204
LED Q35.204

Pcs 1
Kg 27
mc 0,223

330

3460

Ø 275

TABOR OFIR/TOBIA 2L

E27 Q33.204.R20
LED Q35.204.R20

Pcs 1
Kg 32,2
mc 0,295

850

3560

2

Ø 275

TABOR OFIR/TOBIA 3L

E27 Q33.204.R30
LED Q35.204.R30

Pcs 1
Kg 34,6
mc 0,369

890

3560

3

Ø 275

HOREB/TOBIA
LARGE SIZE

BULKHEAD
FLOODLIGHT
IN-GROUND
BRICKLIGHT
BOLLARDS
GARDEN
URBAN CLASSIC
URBAN MODERN
HIGH-BAY
POST
LAMPS

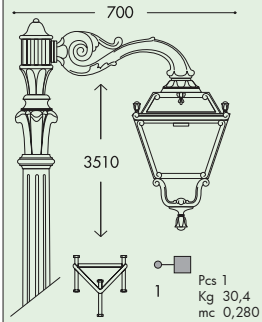


MADE IN ITALY



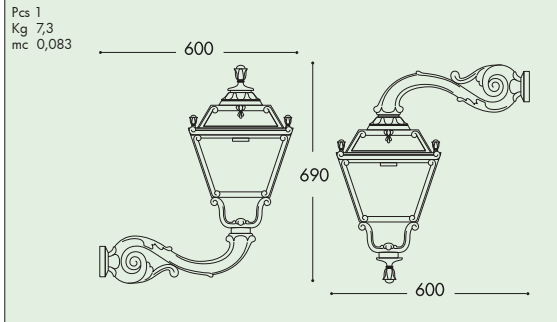
HOREB ADAM/TOBIA 1L

E27 Q33.207.M10
LED Q35.207.M10



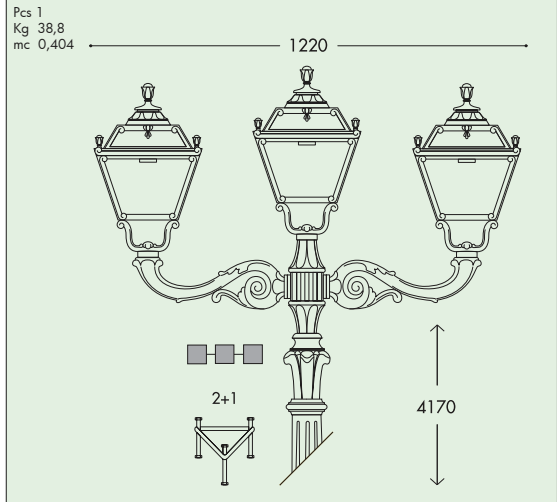
ADAM/TOBIA

E27 Q33.171
LED Q35.171



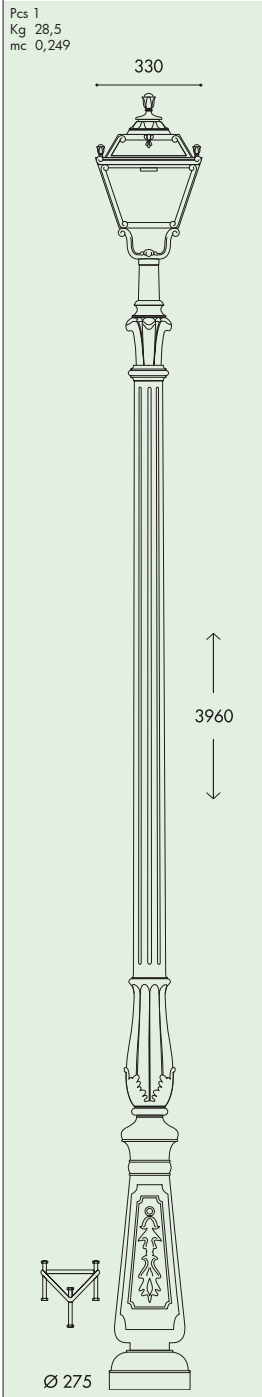
HOREB ADAM/TOBIA 2+1

E27 Q33.207.M21
LED Q35.207.M21



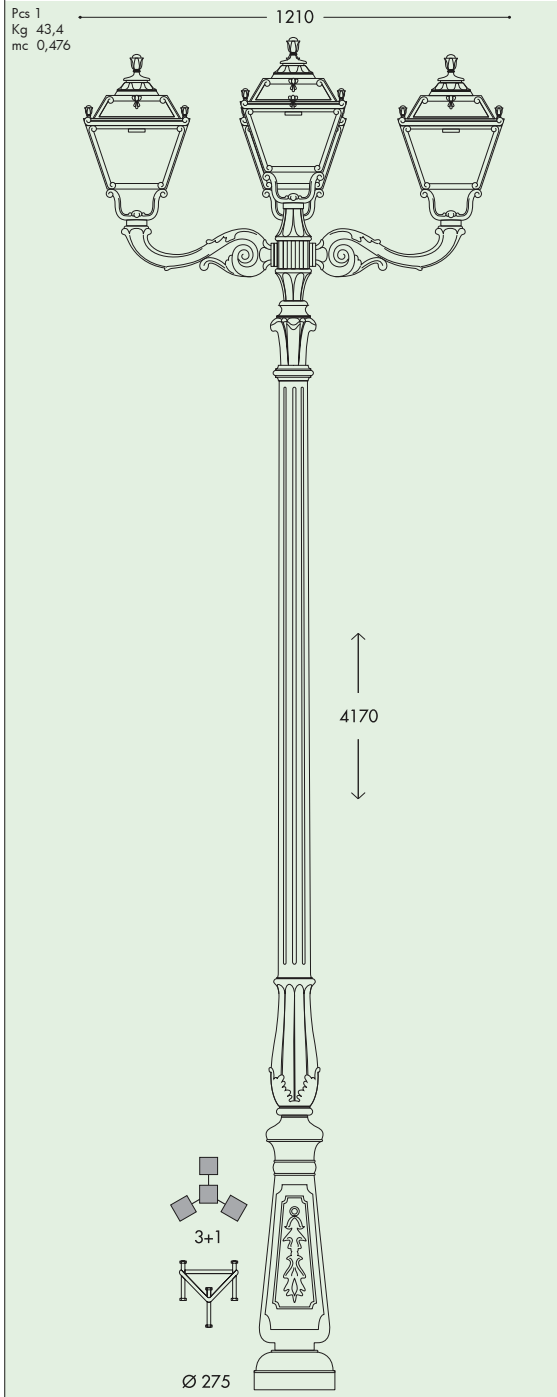
HOREB/TOBIA

E27 Q33.207
LED Q35.207



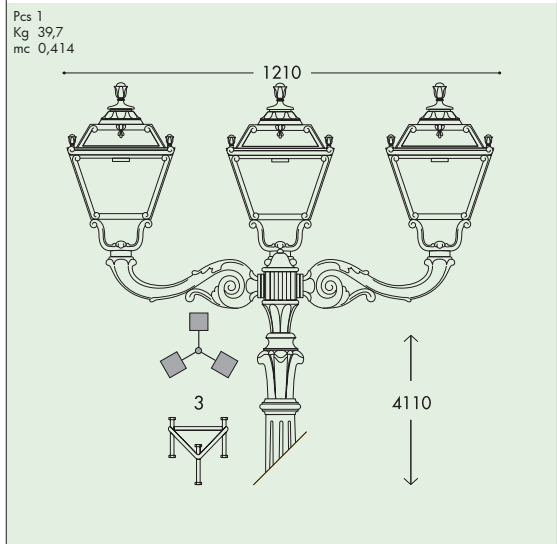
HOREB ADAM/TOBIA 3+1

E27 Q33.207.M31
LED Q35.207.M31



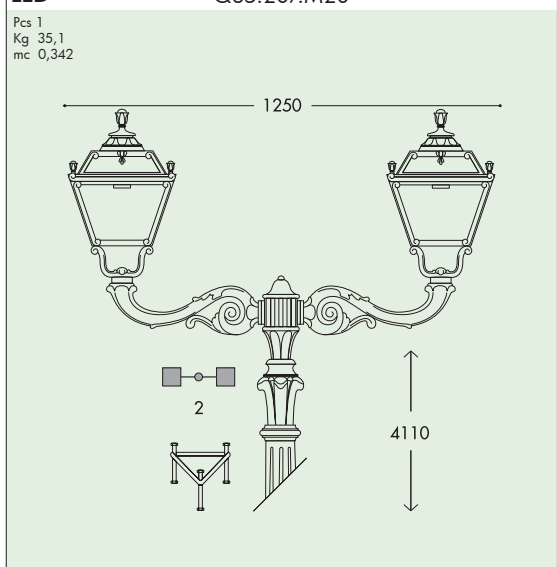
HOREB ADAM/TOBIA 3L

E27 Q33.207.M30
LED Q35.207.M30



HOREB ADAM/TOBIA 2L

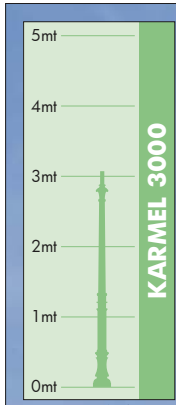
E27 Q33.207.M20
LED Q35.207.M20



BULKHEAD
FLOODLIGHT
IN-GROUND
BRICKLIGHT
BOLLARDS
GARDEN
URBAN CLASSIC
URBAN/MODERN
HIGH-BAY
POST
LAMPS

KARMEL 3000/**TOBIA**
LARGE SIZE

BULKHEAD
FLOODLIGHT
IN-GROUND
BRICKLIGHT
BOLLARDS
GARDEN
URBAN CLASSIC
URBAN MODERN
HIGH-BAY
POST
LAMPS





KARMEL 3000 OFIR/TOBIA 2L

E27 Q33.231.R20
LED Q35.231.R20

Pcs 1
Kg 32,2
mc 0,295

KARMEL 3000 OFIR/TOBIA 3L

E27 Q33.231.R30
LED Q35.231.R30

Pcs 1
Kg 34,6
mc 0,369

KARMEL 3000/TOBIA

E27 Q33.231
LED Q35.231

Pcs 1
Kg 27
mc 0,223

Ø 275

Ø 275

KARMEL 3000 OFIR/TOBIA 2L

E27 Q33.231.R20
LED Q35.231.R20

Pcs 1
Kg 32,2
mc 0,295

Ø 275

KARMEL 3000 OFIR/TOBIA 3L

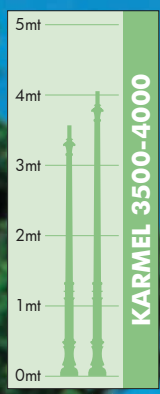
E27 Q33.231.R30
LED Q35.231.R30

Pcs 1
Kg 34,6
mc 0,369

Ø 275

KARMEL 3500-4000/**TOBIA**
LARGE SIZE

BULKHEAD
FLOODLIGHT
IN-GROUND
BRICKLIGHT
BOLLARDS
GARDEN
URBAN CLASSIC
URBAN MODERN
HIGH-BAY
POST
LAMPS



Pag. 456

Q33.234.M21



Q33.171



Q33.237.M21



Q33.237.M31





KARMEL 3500 ADAM/TOBIA 1L	KARMEL 4000 ADAM/TOBIA 1L
E27 Q33.234.M10	Q33.237.M10
LED Q35.234.M10	Q35.237.M10
Pcs 1 Kg 30,4 mc 0,280	Pcs 1 Kg 33,9 mc 0,287

KARMEL 3500 ADAM/TOBIA 2+1	KARMEL 4000 ADAM/TOBIA 2+1
E27 Q33.234.M21	E27 Q33.237.M21
LED Q35.234.M21	LED Q35.237.M21
Pcs 1 Kg 38,8 mc 0,404	Pcs 1 Kg 42,3 mc 0,431

KARMEL 3500 ADAM/TOBIA 3L	KARMEL 4000 ADAM/TOBIA 3L
E27 Q33.234.M30	E27 Q33.237.M30
LED Q35.234.M30	LED Q35.237.M30
Pcs 1 Kg 39,7 mc 0,414	Pcs 1 Kg 43,2 mc 0,441

KARMEL 3500/TOBIA	
E27 Q33.234	
LED Q35.234	
Pcs 1 Kg 28,5 mc 0,249	

KARMEL 3500/TOBIA	
E27 Q33.234	
LED Q35.234	
Pcs 1 Kg 28,5 mc 0,249	

KARMEL 3500 ADAM/TOBIA 3+1	KARMEL 4000 ADAM/TOBIA 3+1
E27 Q33.234.M31	E27 Q33.237.M31
LED Q35.234.M31	LED Q35.237.M31
Pcs 1 Kg 43,4 mc 0,476	Pcs 1 Kg 46,9 mc 0,503

KARMEL 3500 ADAM/TOBIA 2L	KARMEL 4000 ADAM/TOBIA 2L
E27 Q33.234.M20	E27 Q33.237.M20
LED Q35.234.M20	LED Q35.237.M20
Pcs 1 Kg 35,1 mc 0,342	Pcs 1 Kg 38,7 mc 0,369

BULKHEAD
FLOODLIGHT
IN-GROUND
BRICKLIGHT
BOLLARDS
GARDEN
URBAN CLASSIC
URBAN/MODERN
HIGH-BAY
POST
LAMPS