

# FRANCY-OP

## RECTANGULAR

BULKHEAD

FLOODLIGHT

IN-GROUND

BRICKLIGHT

BOLLARDS

GARDEN

URBAN CLASSIC

URBAN MODERN

HIGH-BAY

POST

LAMPS

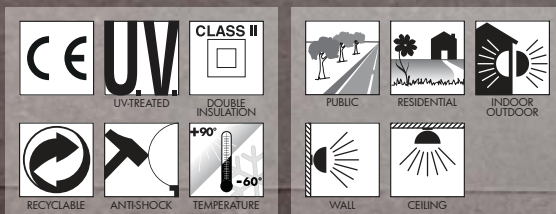
Bulkhead lamp with no visible screws and front light emission. Made of shockproof resin material, UV-rays stabilized, rust and corrosion-free. Suitable for wall and ceiling installation. Complete with TÜV approved, long-life and efficient **GX53 LED lamps included** or provided with **E27** lampholder. Version with motion sensor available. Insulation class II, Protection rating IP66.

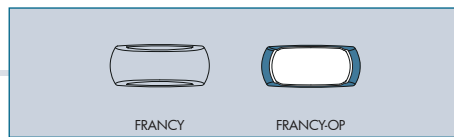


*Plafoniera senza viti a vista con emissione della luce frontale. Realizzata in resina antiurto stabilizzata ai raggi UV, inattaccabile da ruggine e corrosione. Idonea per il montaggio a parete e a soffitto. Completa di lampadine a LED GX53 approvate TÜV di lunga durata ed elevata efficienza o fornita nella versione E27. Disponibile anche con sensore di movimento. Classe di isolamento II, grado di protezione IP66.*



2A1.000





**FRANCY-OP - COMPONENTS**

IP 66



**COVER** with no visible screws made of shockproof resin material UV-rays stabilized. Designed for getting front light emission.

*COVER senza viti a vista realizzata in resina antiurto, stabilizzata ai raggi UV. Disegnata per ottenere un'emissione frontale della luce.*



**DIFFUSER** made of UV-rays stabilized polymethylmethacrylate (PMMA) screwed to the bulkhead base.

*DIFFUSORE realizzato in polimetilmetacrilato (PMMA) stabilizzato ai raggi UV da avvitare alla base della plafoniera.*



**BASE** made of shockproof resin material, UV-rays stabilized, suitable for the electrical devices fixation. Provided with E27 or with 2x GX53 lampholders and complete with silicone rubber gasket to ensure high protection against external agents.

*BASE realizzata in resina antiurto, stabilizzata ai raggi UV, adatta ad alloggiare gli accessori elettrici. Fornita completa di portalampada E27 o di 2 portalampada GX53. Completa di guarnizione in gomma siliconica per garantire un alto livello di protezione contro gli agenti esterni.*



**FRANCY-OP**

**Dimensions and weight**  
Width: 130 mm  
Height: 300 mm  
Depth: 90 mm  
Weight: 1 Kg

**Moulded Colours:**

Black  Grey  White

**Diffuser PC:**

Opal  Frosted (upon request)

**LED LAMPS**



More technical details about TÜV approved Fumagalli LED Lamps on page 468.

**GX53 LED**

FULLY PRE-WIRED



Bulkhead supplied **fully pre-wired** complete with TÜV approved long-life and efficient **GX53 LED lamps 2x 3W-700lm included**. Quick and easy lamp replacement for a very simple maintenance after installation.

		*ADD. SUFFIX	
	2x 3W 6 W	700 Lm	4000 K G2L 3000 K .G2R

2x 3W 700 Lm = 60W incandescent  
**SAVE 92%**

**E27**

FULLY PRE-WIRED



Bulkhead supplied **fully pre-wired** with E27 lampholder. Provided as an option with TÜV approved, long-life and efficient **LED filament lamps** suitable for outdoor use with driver fully protected against heat and humidity by silicone paste.

		*ADD. SUFFIX	
	E27 (CFL -LED)	max 160 mm	.E27
	6 W	800 Lm	2700 K .F1R
	8 W	1000 Lm	2700 K .M1R
	12 W	1500 Lm	2700 K .N1R

6W 8W 12W = 60W 75W 100W incandescent  
**SAVE 90%**

**E27 with sensor**

FULLY PRE-WIRED



Bulkhead supplied **fully pre-wired** with E27 lampholder and **LED filament lamps** as an option. Complete with microwave daylight and motion **sensor**. Sensor operating voltage: 220-240V. (120V version available on demand).

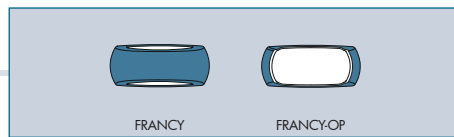
		*ADD. SUFFIX	
	E27 (CFL -LED)	max 160 mm	.E27
	6 W	800 Lm	2700 K .S1R
	8 W	1000 Lm	2700 K .T1R
	12 W	1500 Lm	2700 K .V1R

6W 8W 12W = 60W 75W 100W incandescent  
**SAVE 90%**

**FRANCY RANGE**  
*UP&DOWN*

- BULKHEAD
- FLOODLIGHT
- IN-GROUND
- BRICKLIGHT
- BOLLARDS
- GARDEN
- URBAN CLASSIC
- URBAN MODERN
- HIGH-BAY
- POST
- LAMPS

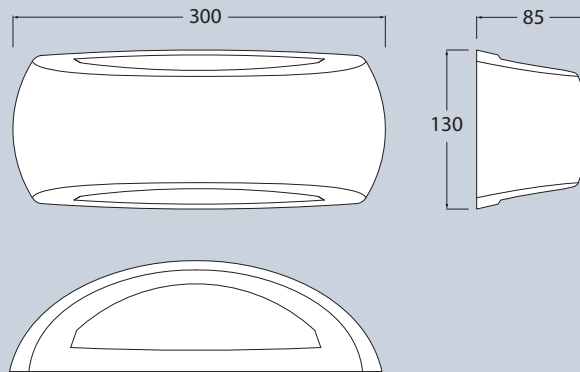




**FRANCY**

<b>E27</b> lampholder	1A1.000.E27
<b>E27</b> lampholder with sensor	1A1.000.ES7
<b>6W</b> LED filament	1A1.000.F1R
<b>8W</b> LED filament	1A1.000.M1R
<b>12W</b> LED filament	1A1.000.N1R

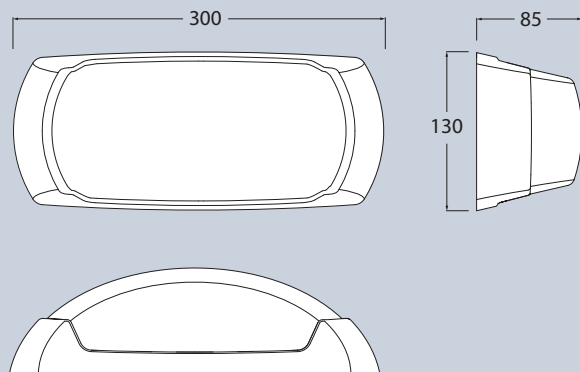
Pcs 24  
Kg 25  
mc 0,12



**FRANCY-OP**

<b>E27</b> lampholder	2A1.000.E27
<b>E27</b> lampholder with sensor	2A1.000.ES7
<b>6W</b> LED filament	2A1.000.F1R
<b>8W</b> LED filament	2A1.000.M1R
<b>12W</b> LED filament	2A1.000.N1R

Pcs 24  
Kg 25  
mc 0,12



4000K

3000K

2A1.000.G2L

**2x 3W** GX53 LED

2A1.000.G2R