

GLOBE 500 CLASSIC

GRAND SIZE

Ø 500 mm PMMA globe, complete with classic base made of shockproof resin material, UV-rays stabilized, rust and corrosion-free. Suitable for post top, hanging and wall installation. Provided with E27 lampholder and prepared for ballast and louvre fixation. Insulation class II, protection rating IP65.

Globo Ø 500 mm in polimetilmetacrilato (PMMA) completo di base classica realizzata in resina antiurto, stabilizzata ai raggi UV, inattaccabile da ruggine e corrosione. Idoneo per il montaggio a palo, a sospensione o a parete. Fornito con portalampada E27 e predisposto per il fissaggio dei reattori e del frangiluce. Classe di isolamento II, grado di protezione IP65.



BULKHEAD

FLOODLIGHT

IN-GROUND

BRICKLIGHT

BOLLARDS

GARDEN

URBAN CLASSIC

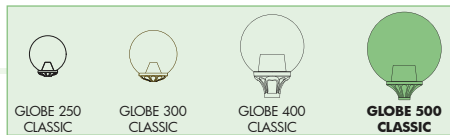
URBAN MODERN

HIGH-BAY

POST

LAMPS





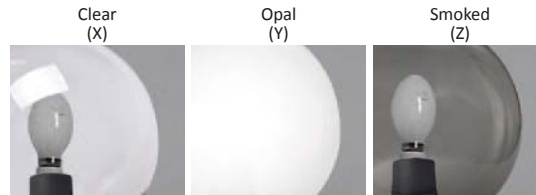
GLOBE 500 CLASSIC - COMPONENTS

IP65



500 mm GLOBE made of UV-rays stabilized polymethylmethacrylate (PMMA), one piece only. Available in clear, opal or smoked colour.

GLOBO Ø 500 mm Ø 500 mm in polimetilmetacrilato (PMMA), resistente all'ingiallimento ed ai raggi UV, realizzato in un unico pezzo. Disponibile nei colori trasparente, bianco o fumé.



Chrome aluminium **LOUVRE** with a laminar symmetrical optic system to direct the lighting output and to get a lower dazzle (optional).

FRANGILUCE in alluminio cromato con sistema ottico lamellare a ripartizione simmetrica per orientare il fascio di luce e ridurre l'abbagliamento (opzionale).

Luminaries **BASE**, made of shockproof resin material, UV-rays stabilized, rust and corrosion-free, consisting of a support and of a cover suitable for electrical accessories fixation on its lower side and provided with E27 - E40 lampholder on its upper side.

A rubber gasket assures the protection of the electrical accessories seat from external agents.

BASE del globo, realizzata in resina antiurto, stabilizzata ai raggi UV, inattaccabile da ruggine e corrosione. Composta da un supporto e da un coperchio nella cui parte inferiore possono essere fissati gli accessori elettrici e nella cui parte superiore si trova l'alloggiamento per il portalampada E27 (incluso). Una guarnizione in gomma garantisce la protezione dell'alloggiamento degli accessori elettrici dagli agenti esterni.

GLOBE 500 CLASSIC

G50.B50 *



Dimensions and weight

Height: 630 mm
Diameter: 500 mm
Junction to support: diameter 60 mm
Weight: 3,5 Kg
Area exposed to wind pressure: CxS = m² 0,181

Moulded colours:

Black White

Painted colours:

Antique green Antique bronze

Diffuser PMMA:

Clear Opal Smoked

CHROME ALUMINIUM LOUVRE

H.FC1 closed
Upward position



H.FC6 open
Downward position



E27

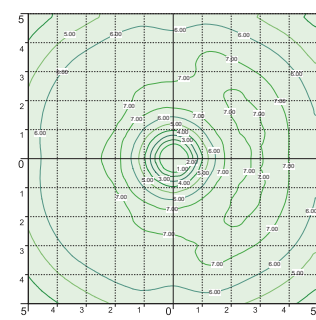
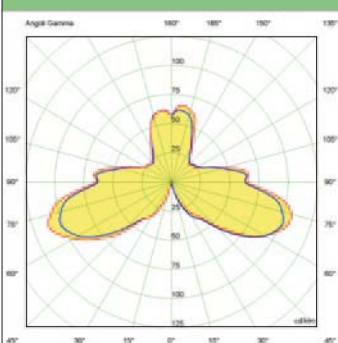
*ADD. SUFFIX



Globe complete with classic base and **E27** or **E40** lampholder. Provided as an option with ballast kit for SON-HQI.

E27 (GLS-CFL-LED)	E27 Lampholder only	.E27
E27 WITH BALLAST KIT	SON 70W	.S70
	HQI 70W	.H70
E40 WITH BALLAST KIT	SON 100W	.S10
	HQI 100W	.H10

PHOTOMETRIC DATA SAMPLE



GLOBE 500 CLASSIC clear SON 70W (with louvre).

POST height 3,5mt
10 x 10mt area: average 6 lux

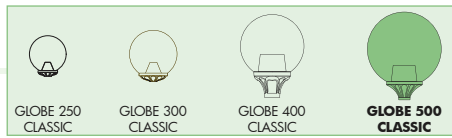
The photometric data for all the versions are available upon request or on our website.

* ADD THE ABOVE SUFFIXES TO THE REFERENCES MENTIONED IN THE CATALOGUE

GLOBE 500 CLASSIC
GRAND SIZE

BULKHEAD
FLOODLIGHT
IN-GROUND
BRICKLIGHT
BOLLARDS
GARDEN
URBAN CLASSIC
URBAN MODERN
HIGH-BAY
POST
LAMPS





GIONA 5000/G500
G50.227

Pcs 1
Kg 60,5
mc 1,157

Ø 500

5500

400

GIONA 4000/G500 G50.221	GIONA 4500/G500 G50.224
Pcs 1 Kg 54,5 mc 0,907	Pcs 1 Kg 57,5 mc 1,027

Ø 500

5000
4500

400

KARMEL 3500/G500 G50.234	KARMEL 4000/G500 G50.237
Pcs 1 Kg 28,5 mc 0,447	Pcs 1 Kg 32 mc 0,498

Ø 500

4500
4000

Ø 275

SICHEM/G500
G50.121

Pcs 2
Kg 15
mc 0,275

Ø 500

1050

GLOBE 500 CLASSIC
G50.B50

Pcs 2
Kg 7
mc 0,275

Ø 500

630

Ø 60

TABOR/G500 G50.204	HOREB/G500 G50.207
Pcs 1 Kg 27 mc 0,407	Pcs 1 Kg 28,5 mc 0,447

Ø 500

4000
3500

Ø 275

KARMEL 3000/G500
G50.231

Pcs 1
Kg 27
mc 0,407

Ø 500

3500

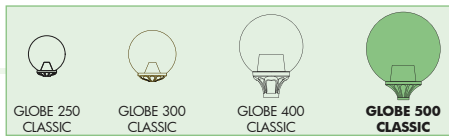
Ø 275

BULKHEAD
FLOODLIGHT
IN-GROUND
BRICKLIGHT
BOLLARDS
GARDEN
URBAN CLASSIC
URBAN MODERN
HIGH-BAY
POST
LAMPS

GIONA 4500-5000/**GLOBE 500 CLASSIC**
GRAND SIZE

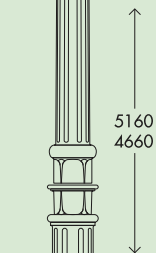
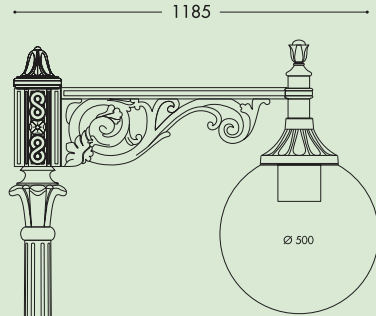
BULKHEAD
FLOODLIGHT
IN-GROUND
BRICKLIGHT
BOLLARDS
GARDEN
URBAN CLASSIC
URBAN MODERN
HIGH-BAY
POST
LAMPS





GIONA 4500 ARON/G500 1L **GIONA 5000 ARON/G500 1L**
G50.224.N10 G50.227.N10

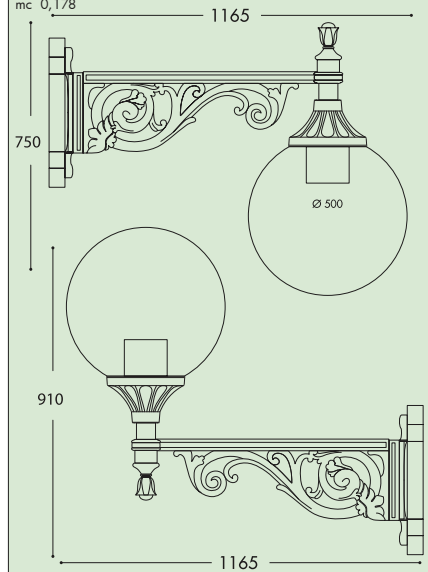
Pcs 1 Pcs 1
Kg 61 Kg 64
mc 1,031 mc 1,146



400

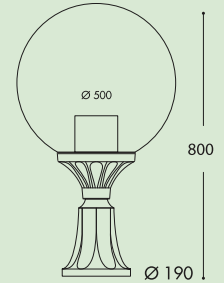
ARON/G500
G50.172

Pcs 1
Kg 6,5
mc 0,178



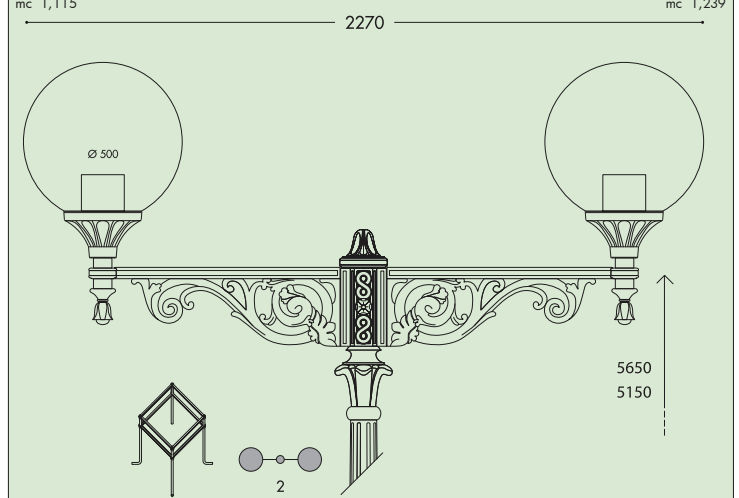
LOT/G500
G50.113

Pcs 2
Kg 16
mc 0,275



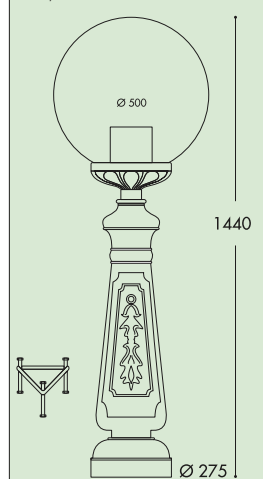
GIONA 4500 ARON/G500 2L **GIONA 5000 ARON/G500 2L**
G50.224.N20 G50.227.N20

Pcs 1 Pcs 1
Kg 66 Kg 69
mc 1,115 mc 1,239



ERMON.R/G500
G50.195 resin

Pcs 1 500
Kg 8,5
mc 0,212



GIONA 4500 ARON/G500 4L **GIONA 5000 ARON/G500 4L**
G50.224.N40 G50.227.N40

Pcs 1 Pcs 1
Kg 76 Kg 79
mc 1,282 mc 1,425

