

# SUNNY HIGHPOWER PEAK3

SHP 100-20 / SHP 150-20



## Efficient

- High power density with 150 kW thanks to its compact structure
- Max. yield due to possible DC/AC ratio of up to 150%

## Reliable

- Superior PV system availability with 150 kW units
- Innovative digital features aligned with the energy management platform ennexOS

## Flexible

- For DC input voltages up to 1500 V
- Flexible DC solutions with customer-specific PV array junction boxes

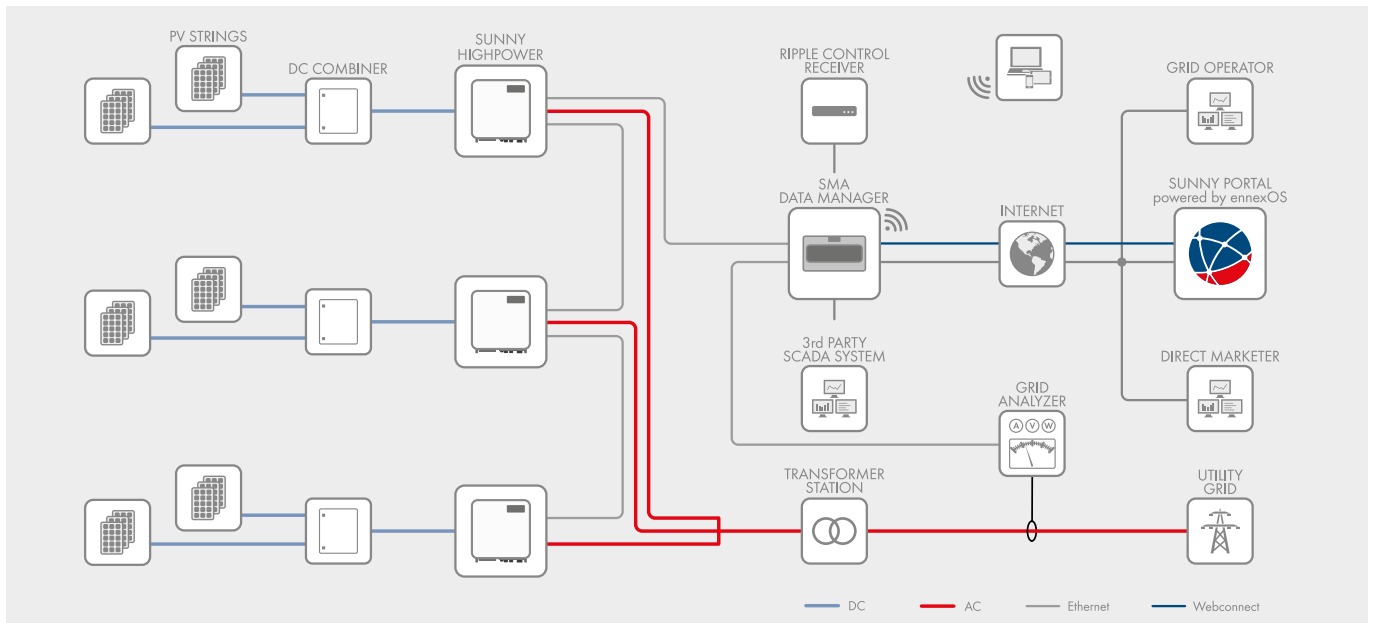
## Easy to install

- Ergonomic handling and simple connection for quick installation
- Centralized commissioning and control of the PV power plant via SMA Data Manager

## SUNNY HIGHPOWER PEAK3

Customized for tomorrow today

The Sunny Highpower PEAK3 is the central component of the SMA solution for PV power plants with a decentralized architecture and system voltages of 1500 V DC. This compact string inverter enables cost-optimized solutions for industrial PV applications thanks to its high power density. It also provides a simple way of transport and allows for quick installation and commissioning. This string inverter with 150 kW of power is equipped with the automatic SMA Smart Connected service for proactive servicing that facilitates operation and maintenance and reduces service costs throughout the entire project lifetime.



Technical Data	Sunny Highpower 100-20	Sunny Highpower 150-20
<b>Input (DC)</b>		
Max. PV array power	150000 Wp	225000 Wp
Max. input voltage	1000 V	1500 V
MPP voltage range / rated input voltage	590 V to 1000 V / 590 V	880 V to 1450 V / 880 V
Max. input current / max. short-circuit current	180 A / 325 A	180 A / 325 A
Number of independent MPP trackers	1	1
Number of inputs	1 or 2 (optional) for external PV array junction boxes	
<b>Output (AC)</b>		
Rated power at nominal voltage	100000 W	150000 W
Max. apparent power	100000 VA	150000 VA
Nominal AC voltage / AC voltage range	400 V / 304 V to 477 V	600 V / 480 V to 690 V
AC grid frequency / range	50 Hz / 44 Hz to 55 Hz 60 Hz / 54 Hz to 66 Hz	50 Hz / 44 Hz to 55 Hz 60 Hz / 54 Hz to 66 Hz
Rated grid frequency	50 Hz	50 Hz
Max. output current	151 A	151 A
Power factor at rated power / displacement power factor adjustable	1 / 0 overexcited to 0 underexcited	
Harmonic (THD)	< 3%	< 3%
Feed-in phases / AC connection	3 / 3-PE	3 / 3-PE
<b>Efficiency</b>		
Max. efficiency / European efficiency	98.8% / 98.6%	99.1% / 98.8%
<b>Protective devices</b>		
Ground fault monitoring / grid monitoring / DC reverse polarity protection	● / ● / ●	● / ● / ●
AC short-circuit current capability / galvanically isolated	● / -	● / -
All-pole-sensitive residual-current monitoring unit	●	●
Monitored surge arrester (type II) AC / DC	● / ●	● / ●
Protection class (according to IEC 62109-1) / overvoltage category (as per IEC 62109-1)	I / AC: III; DC: II	I / AC: III; DC: II
<b>General Data</b>		
Dimensions (W / H / D)	770 mm / 830 mm / 444 mm (30.3 in / 32.7 in / 17.5 in)	
Weight	98 kg (216 lbs)	
Operating temperature range	-25 °C to +60 °C (-13 °F to +140 °F)	
Noise emission (typical)	< 65 dB(A)	
Self-consumption (at night)	< 5 W	
Topology	transformerless	
Cooling method	OptiCool, active cooling, speed-controlled fan	
Degree of protection (according to IEC 60529)	IP65	
Max. permissible value for relative humidity (non-condensing)	100%	
<b>Features / function / accessories</b>		
DC connection / AC connection	Terminal lug (up to 300 mm <sup>2</sup> ) / Screw terminal (up to 150 mm <sup>2</sup> )	
LED display (Status / Fault / Communication)	●	
Ethernet interface	● (2 ports)	
Data interface: SMA Modbus / SunSpec Modbus / Speedwire, Webconnect	● / ● / ●	
Mounting type	Rack mounting	
OptiTrac Global Peak / Integrated Plant Control / Q on Demand 24/7	● / ● / ●	
Off-grid capable / SMA Fuel Save Controller compatible	● / ●	
Warranty: 5 / 10 / 15 / 20 years	● / ○ / ○ / ○	
Certificates and approvals (planned)	IEC 62109-1/-2, AR N-4110, AR N-4120, CEI 0-16, C10/11:2012, EN 50549, PEA 2017, DEWA	
● Standard features ○ Optional features - Not available Data at nominal conditions Status: 12/ 2018		
Type designation	SHP 100-20	SHP 150-20