

MX Cage Clamp Terminal and Cable Connector

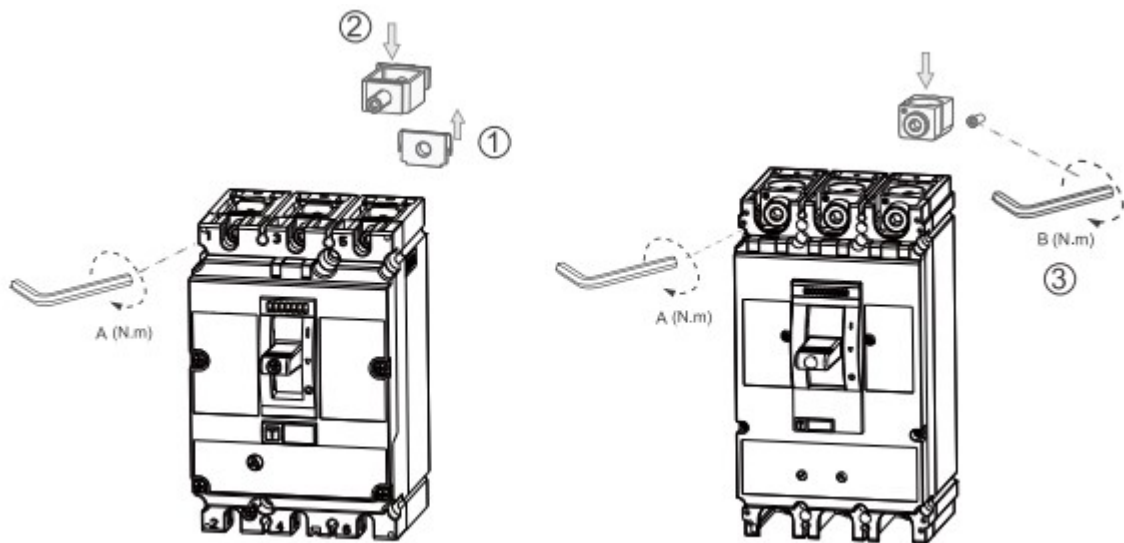
User Manual



Danger, installation and use by electricians only

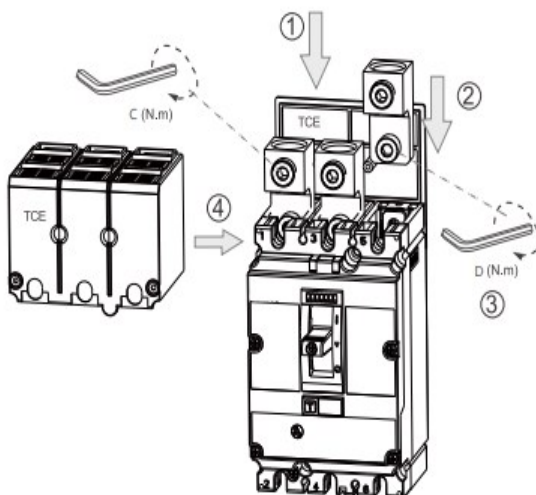


■ Cage Clamp Terminal



| Serial No. | Wiring capacity | A (N.m) | B (N.m) |
|------------|---------------------------|---------|---------|
| MX190015— | (2,5 ~ 75)mm ² | 8 | / |
| MX290015— | (10~120)mm ² | 10 | / |
| MX390015— | (120~240)mm ² | 35 | 25 |

■ Cable Connector



| Serial No. | Wiring capacity | C(N.m) | D(N.m) | B(N.m) |
|------------|----------------------------|--------|--------|--------|
| MX196730— | (16~95)mm ² | 10 | 6 | 1 hole |
| MX296730— | (35~240)mm ² | 30 | 11 | 1 hole |
| MX296731— | 2X(35~120)mm ² | 30 | 11 | 2 hole |
| MX296732— | 6X(10~35)mm ² | 10 | 11 | 6 hole |
| MX396730— | 2X(120~240)mm ² | 35 | 25 | 2 hole |
| MX396731— | 4X95mm ² | 15 | 25 | 4 hole |
| MX496730— | 3X(95~300)mm ² | 35 | 25 | 3 hole |
| MX496731— | 4X(95~240)mm ² | 35 | 25 | 4 hole |